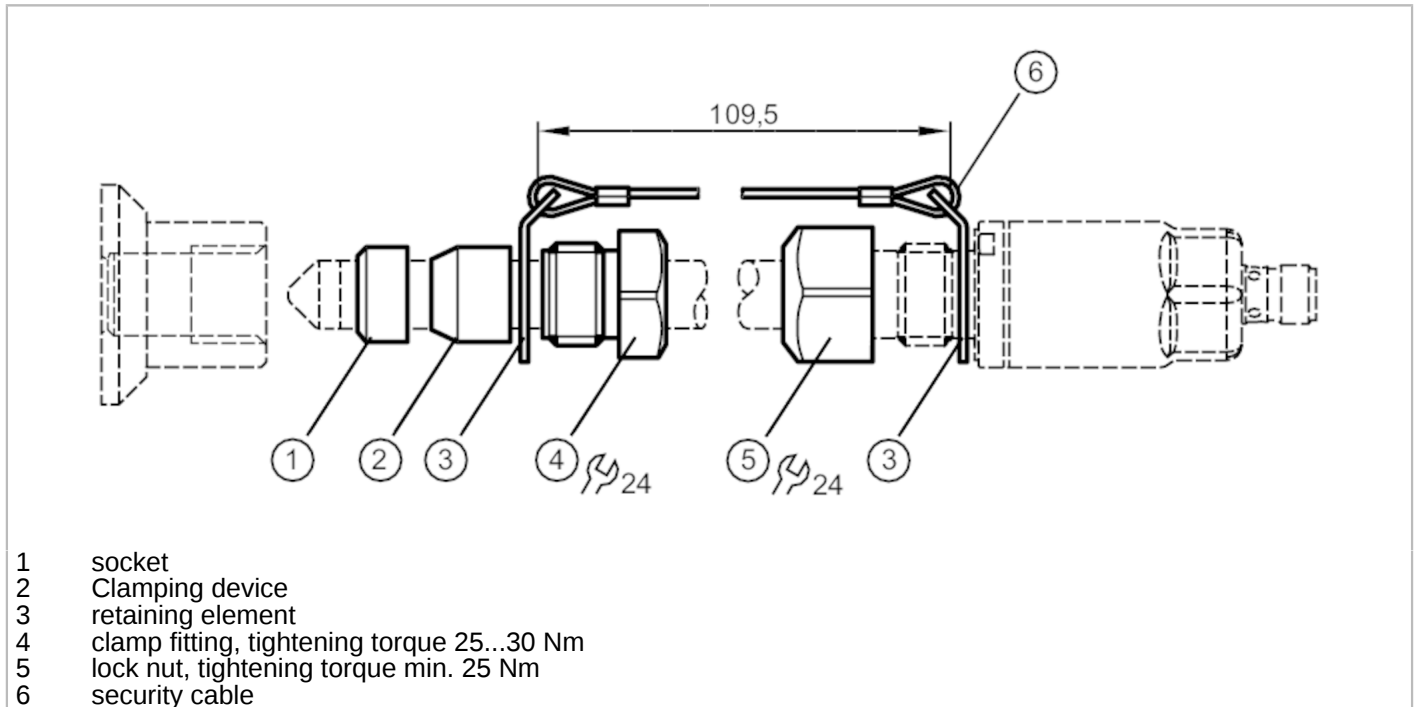


E43349



Clamp adapter for process sensors

VARIABLE CLAMP ADAPTER 150



EHEDG Certified

Application	
Design	for hygienic adaptations G 1/2, for level sensor LMT104
Installation	Clamp fitting
Mechanical data	
Weight [g]	174.5
Materials	PEEK-GF30; stainless steel (1.4404 / 316L)
Sensor connection	Ø 14 mm
Process connection	threaded connection G 1/2 sealing cone
Remarks	
Pack quantity	1 pcs.