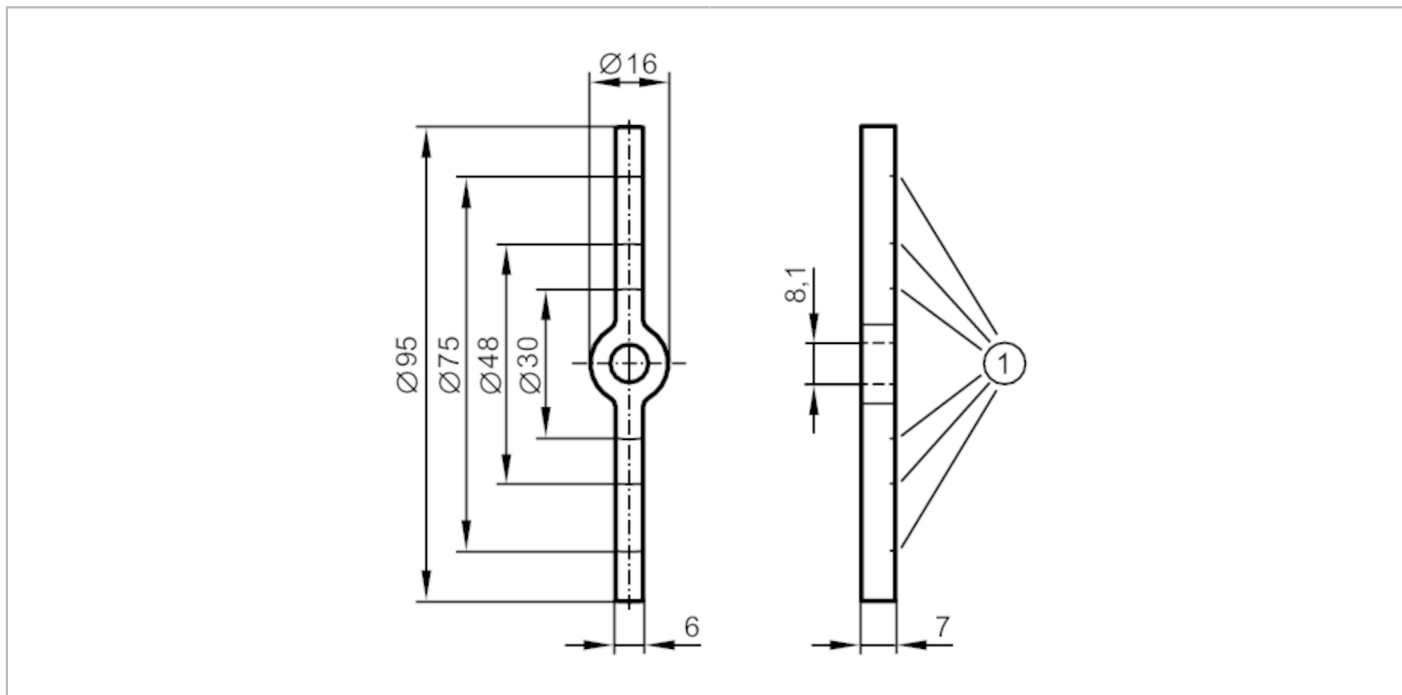


E43350



Centring piece for probes

CENTERING DEVICE LR PROBE



Application

Design for probes LR, for bypass and internal pipe diameter 30...100 mm

Mechanical data

Weight [g] 8.4

Materials PEEK-GF30

Accessories

Items supplied retaining rings: 2

Remarks

Pack quantity 1 pcs.