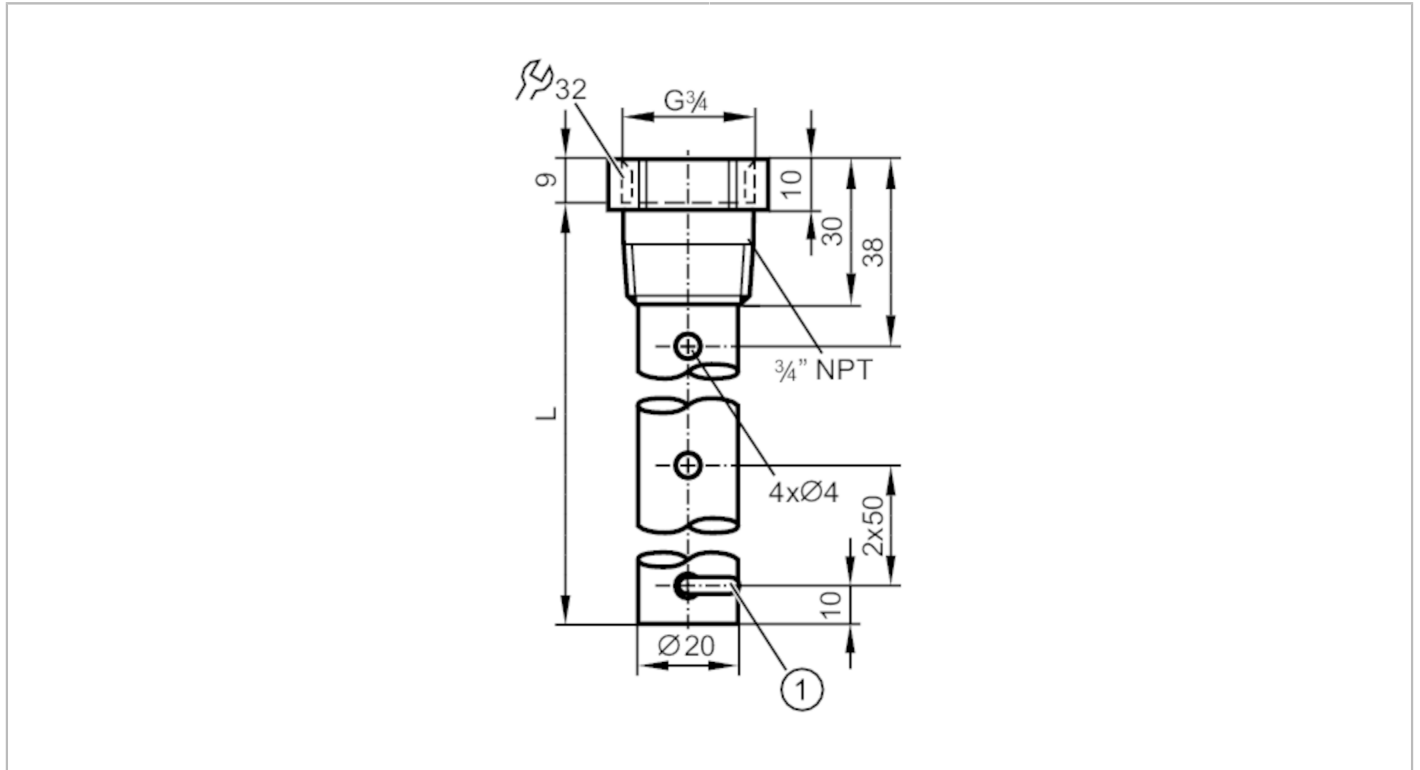


# E43377



## Coaxial pipe for level sensors

LR COAX TUBE NPT L240



### CRN

Application	
Design	for level sensors LR
Medium temperature [°C]	-40...200
Pressure rating [bar]	16
Vacuum resistance [mbar]	-1000
MAWP (for applications according to CRN) [bar]	16
Mechanical data	
Weight [g]	188.5
Materials	Coaxial pipe: stainless steel (1.4301 / 304); fixing bracket: stainless steel (1.4310 / 301); Centring piece: PPS reinforced fibre
Sensor connection	G 3/4
Process connection	3/4" NPT
Length [mm]	240
Remarks	
Pack quantity	1 pcs.