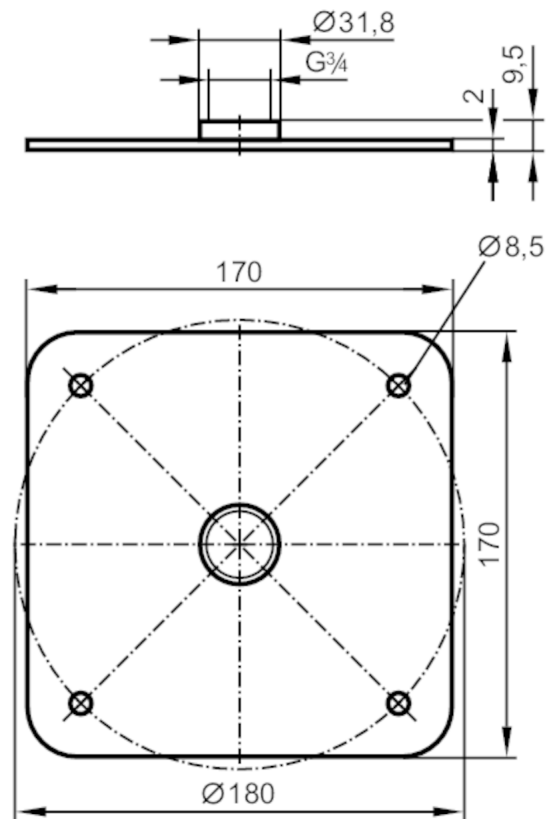


E43380



Coupling plate for level sensors

LAUNCHING PLATE G3/4



Application

Design		for level sensors LR
Tank pressure	[bar]	-1...16

Mechanical data

Weight	[g]	627.5
Materials		stainless steel (1.4571/316Ti)
Tightening torque	[Nm]	6...9
Sensor connection		G 3/4

Remarks

Pack quantity		1 pcs.
---------------	--	--------