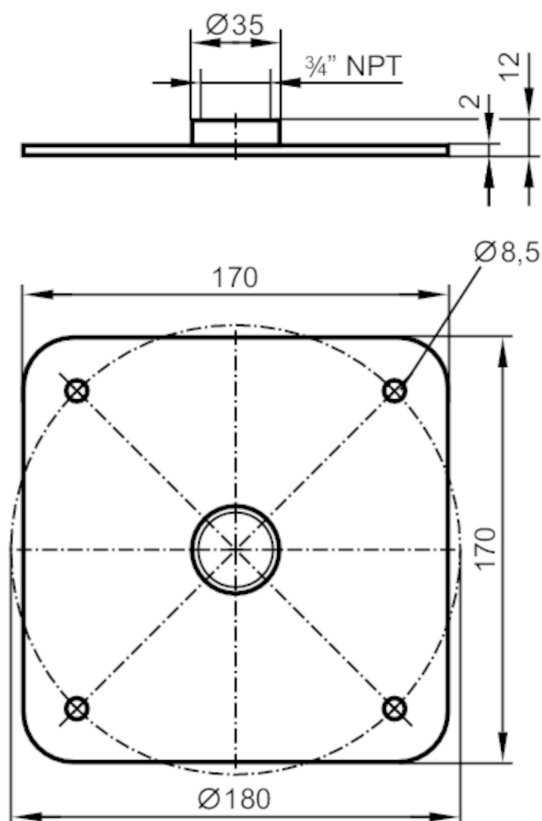


# E43381



## Coupling plate for level sensors

LAUNCHING PLATE 3/4NPT



### Application

Design	for level sensors LR
Tank pressure [bar]	-1...16

### Mechanical data

Weight [g]	595.5
Materials	base plate: stainless steel (1.4571/316Ti); Adapter: stainless steel (1.4404 / 316L)
Tightening torque [Nm]	6...9
Sensor connection	3/4" NPT

### Remarks

Pack quantity	1 pcs.
---------------	--------