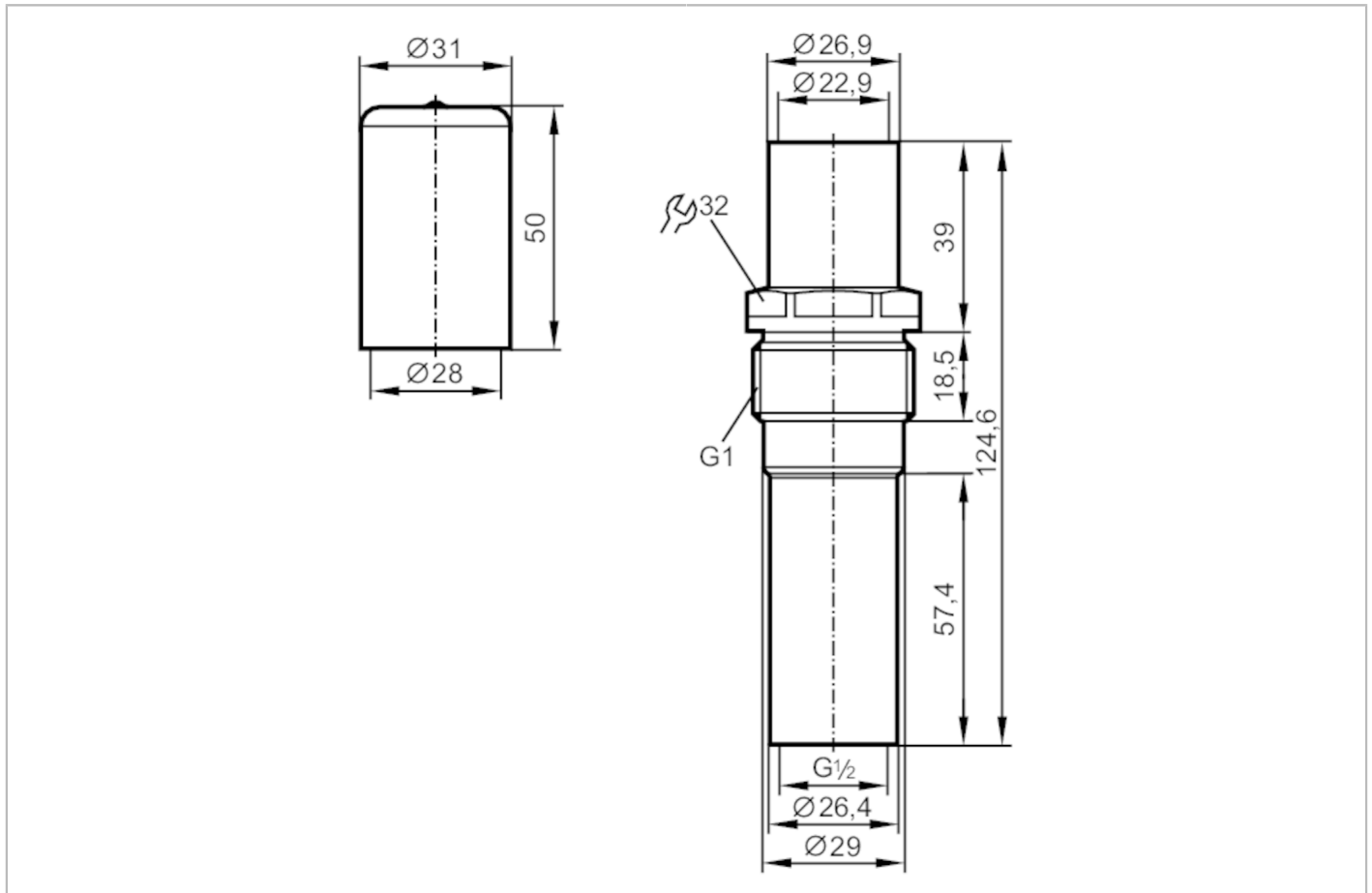


E43383



Screw-in adapter for process sensors

ADAPT F VIBRATION FORK SPARE



Application	
Pressure rating	[bar] 40
Mechanical data	
Weight	[g] 276.5
Materials	Adapter: stainless steel (1.4404 / 316L); Cover: PVC
Sensor connection	G 1/2
Process connection	G 1
Accessories	
Items supplied	Cover
Remarks	
Pack quantity	1 pcs.