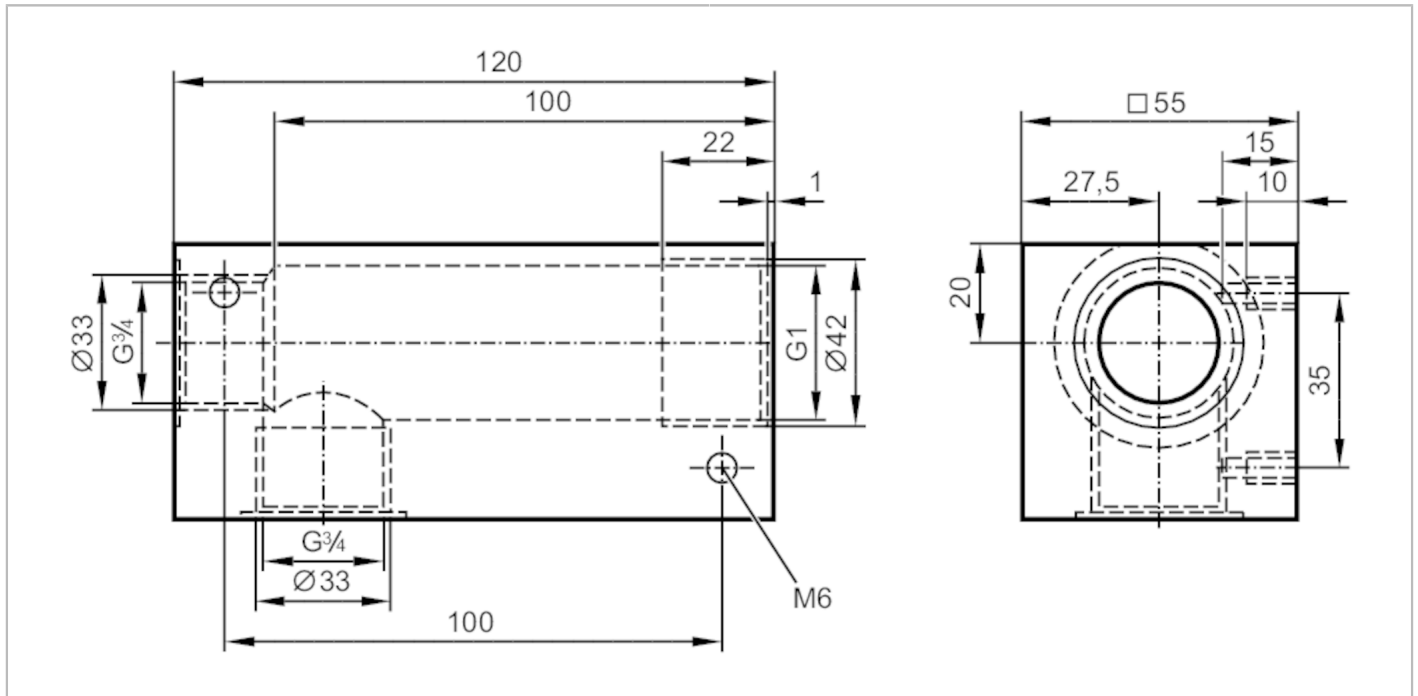


# E43400



## Process adapter block

ADAPTBLOCK G3/4



### Application

Design for oil moisture sensor LDH100

### Mechanical data

Weight [g]	796.5
Materials	aluminium
Sensor connection	G 3/4

### Remarks

Pack quantity 1 pcs.