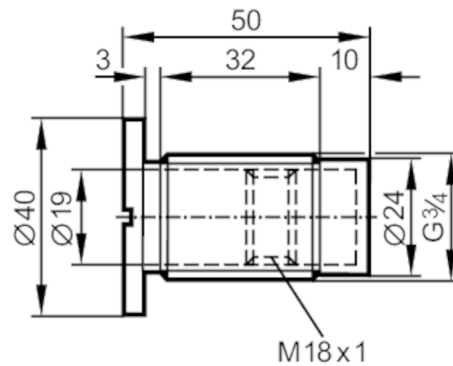


E43901



Mounting adapter for capacitive sensors

MOUNTING ADAPTER G3/4",PVDF



Application	
Pressure rating	[bar] 8
Operating conditions	
Ambient temperature	[°C] -25...110
Mechanical data	
Weight	[g] 27.6
Dimensions	[mm] G 3/4 / L = 50
Thread designation	G 3/4
Materials	Adapter: PVDF
Tightening torque	[Nm] 5
Sensor connection	threaded connection M18 x 1 internal thread
Process connection	threaded connection G 3/4 external thread
Remarks	
Pack quantity	1 pcs.