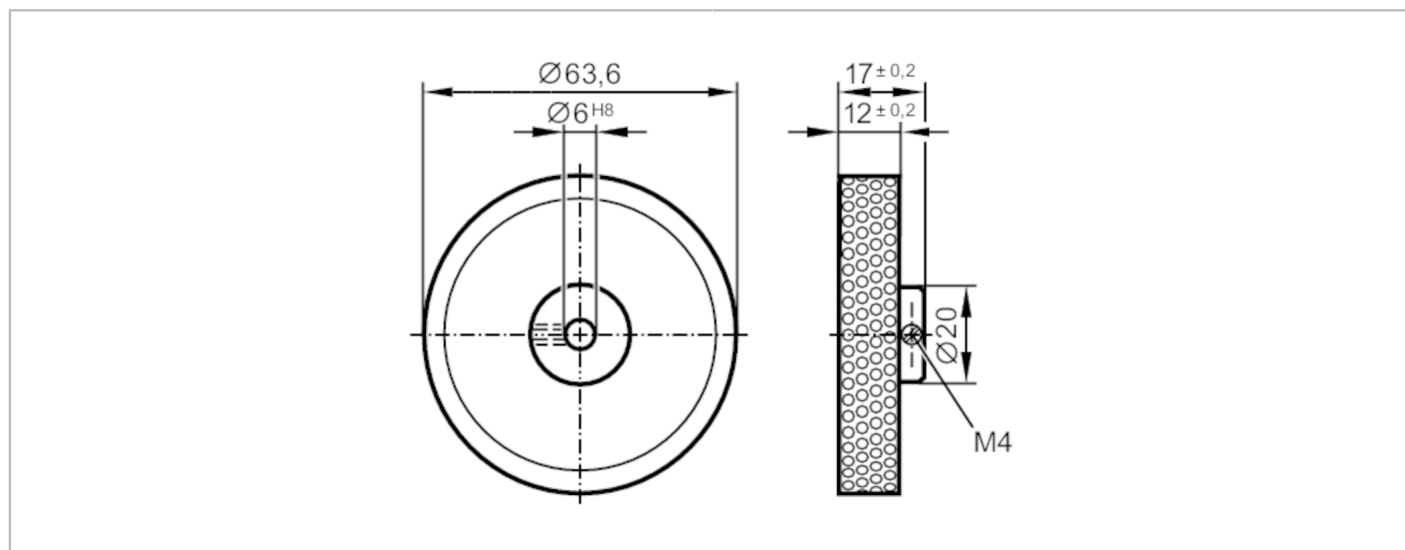


E60007



Measuring wheel

MEASURING WHEEL U:200 N:06



Application		
Design		rubber
Operating conditions		
Ambient temperature	[°C]	-30...80
Mechanical data		
Weight	[g]	63.2
Inside diameter	[mm]	6
External diameter	[mm]	63.6
Materials		wheel: aluminium; surface characteristics: PU
Surface hardness		60 Shore A
Circumference	[mm]	200
Remarks		
Pack quantity		1 pcs.