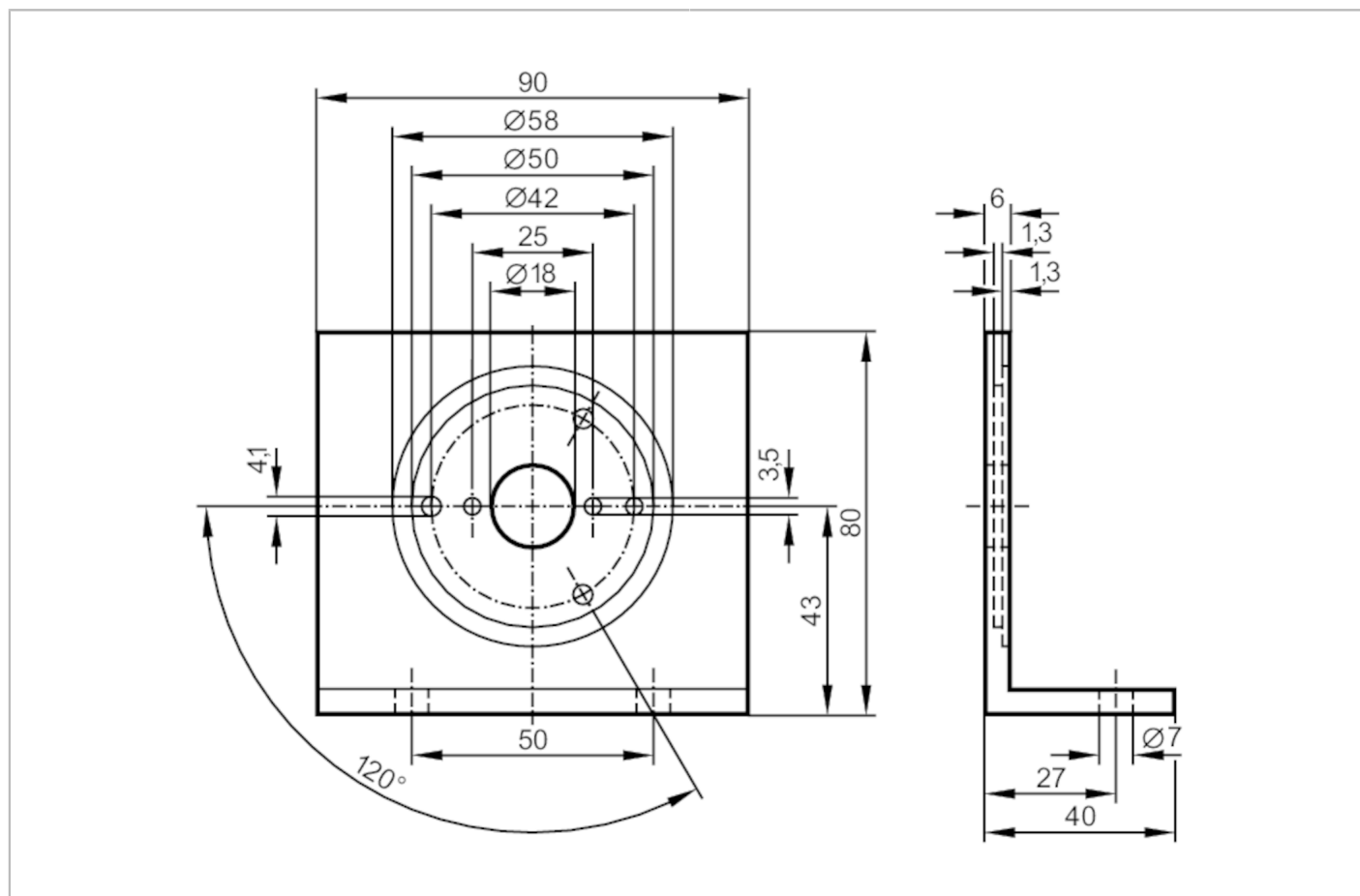


E60033



Angle flange for encoders

ANGLE BRACKET ENCODERS



Application	
Design	for encoders
Mechanical data	
Weight [g]	161
Dimensions [mm]	80 x 90 x 40
Materials	aluminium black anodised
Remarks	
Pack quantity	1 pcs.