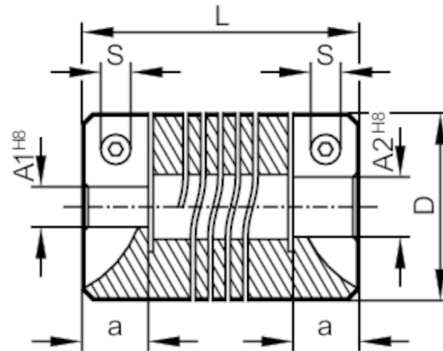


# E60208



## Flexible coupling for encoders

COUPLING 30-10-12-38-KV



Mechanical data	
Weight	[g] 58
Dimensions	[mm] $\varnothing 30 / L = 38$
Materials	aluminium
External diameter D	[mm] 30
Inside diameter A1	[mm] 10
Inside diameter A2	[mm] 12,7 mm / 1/2" / 1/2 inch
Length L	[mm] 38
Depth of the clamping hub	[mm] 10
Clamp screw	[mm] M4 x 12 ISO4762 (2 x)
Max. revolution, mechanical	[U/min] 6000
Max. axial shaft misalignment	[mm] $\pm 0,5$
Max. radial shaft misalignment	[mm] $\pm 0,35$
Max. angular displacement	[°] $\pm 4,0$
Remarks	
Remarks	The data indicated apply to couplings with the above hub borings at an ambient temperature of 23 °C. The values of radial, angular and axial displacement are maximum values which must not reach their maximum simultaneously while in operation.
Pack quantity	1 pcs.