

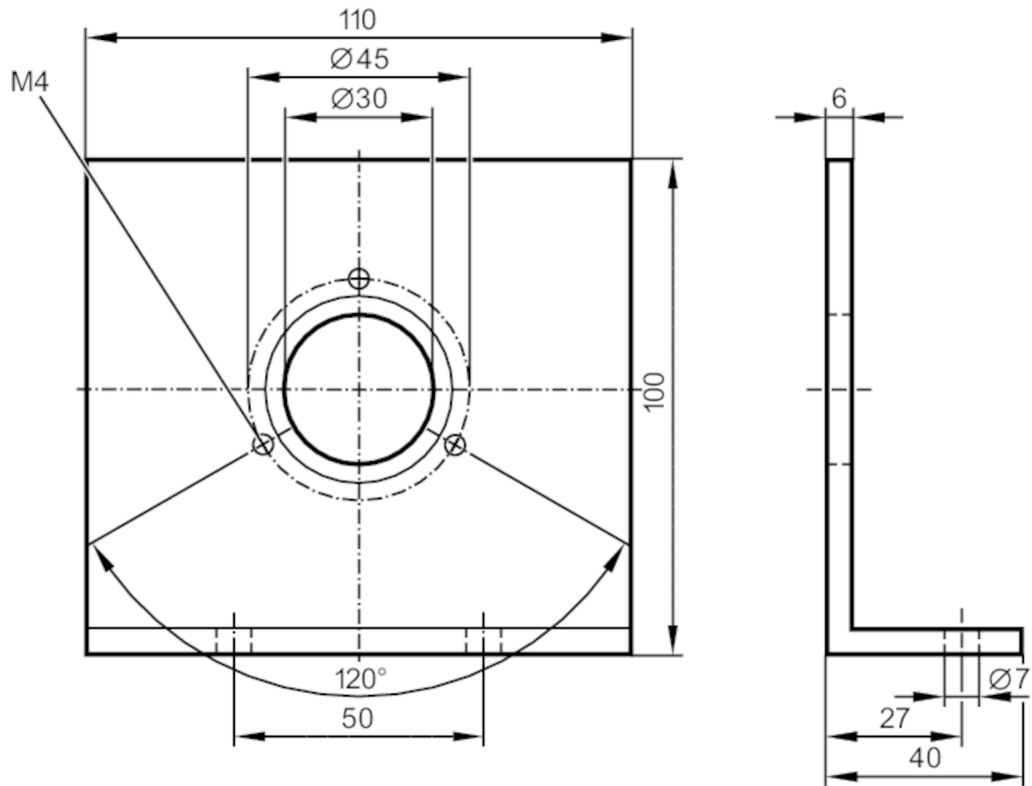
# E60302



## Angle flange for encoders

Angle Bracket RM9000

discontinued article



### Application

Design for encoders

### Mechanical data

Weight [g] 224.7

Dimensions [mm] 100 x 110 x 40

Materials aluminium black anodised

### Accessories

Accessories (optional) fastening clamp: 3, E60041

### Remarks

Pack quantity 1 pcs.