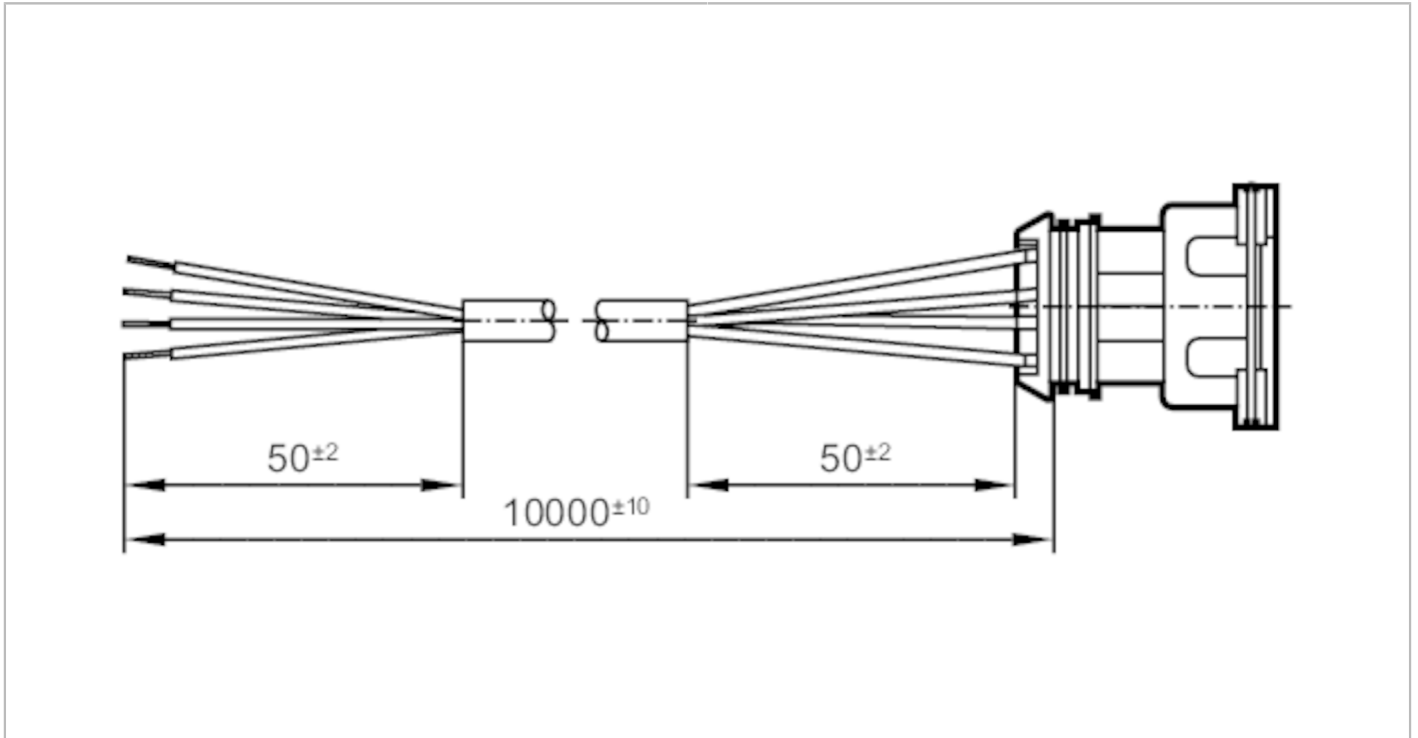


# E60303



## Connecting cable with socket

ADOGX040--S0010H04



### Mechanical data

Weight [g] 458

### Remarks

Pack quantity 1 pcs.

### Electrical connection

Cable: 10 m, PUR; 4 x 0.5 mm<sup>2</sup>

### Connection

1	BN
2	BK
3	BU
4	WH

Connector: 1 x AMP, straight

# E60303



## Connecting cable with socket

ADOGX040--S0010H04

1	brown
2	black
3	blue
4	white