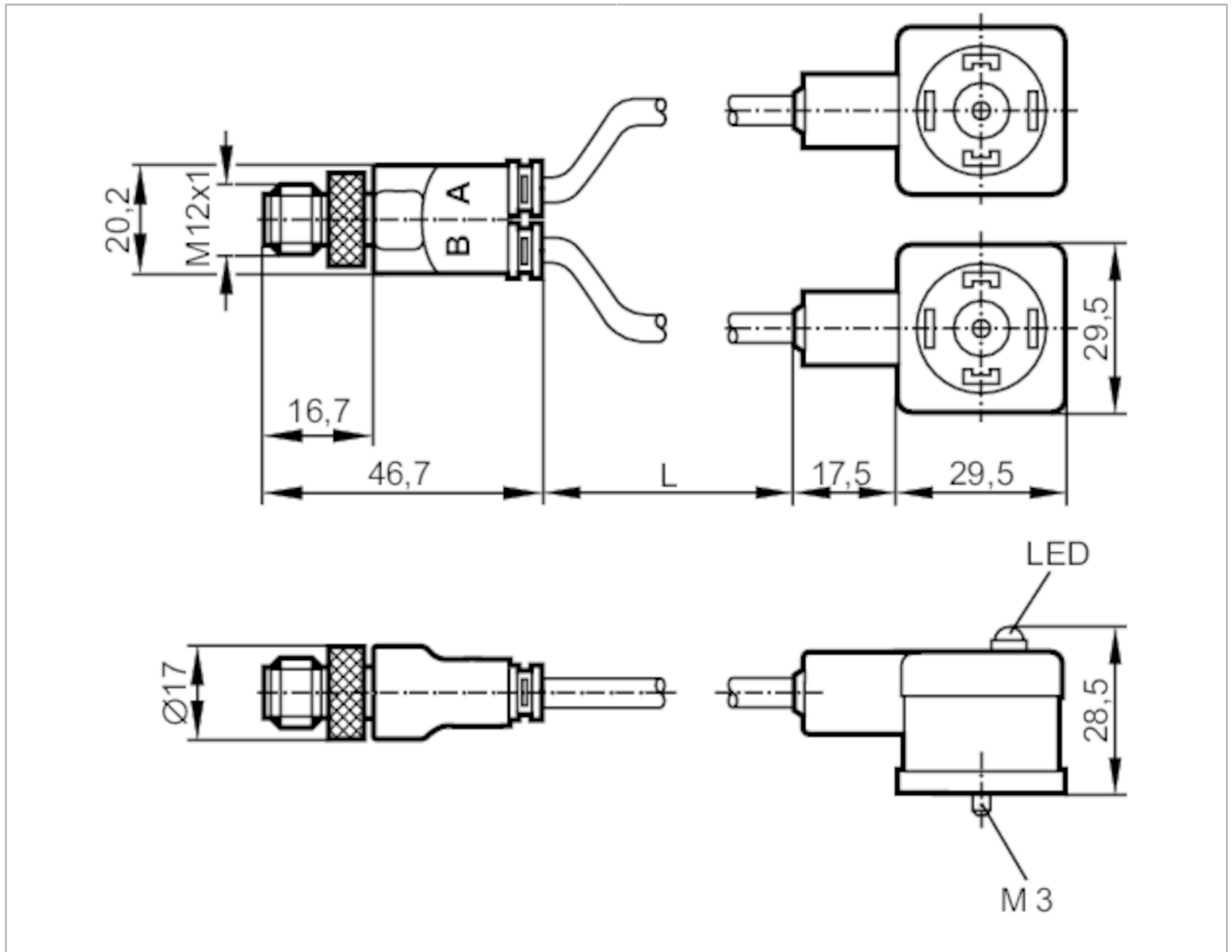


E70203



Y-jumper with valve plug

YVDA042--S0001H03STGH050MSS



Application		
Special feature		Halogen-free
Electrical data		
Operating voltage	[V]	10...30 DC
Overvoltage protection		yes; (VDR)
Operating conditions		
Ambient temperature	[°C]	-25...90
Protection		IP 65
Mechanical data		
Weight	[g]	183.5
Materials		TPU
Moulded-body material		TPU / TPU
Material nut		brass, nickel-plated / brass, nickel-plated
Displays / operating elements		
Display	switching status	2 x LED, yellow

E70203



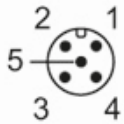
Y-jumper with valve plug

YVDA042--S0001H03STGH050MSS

Accessories	
Items supplied	screw panel for labelling
Remarks	
Pack quantity	1 pcs.

Electrical connection - plug

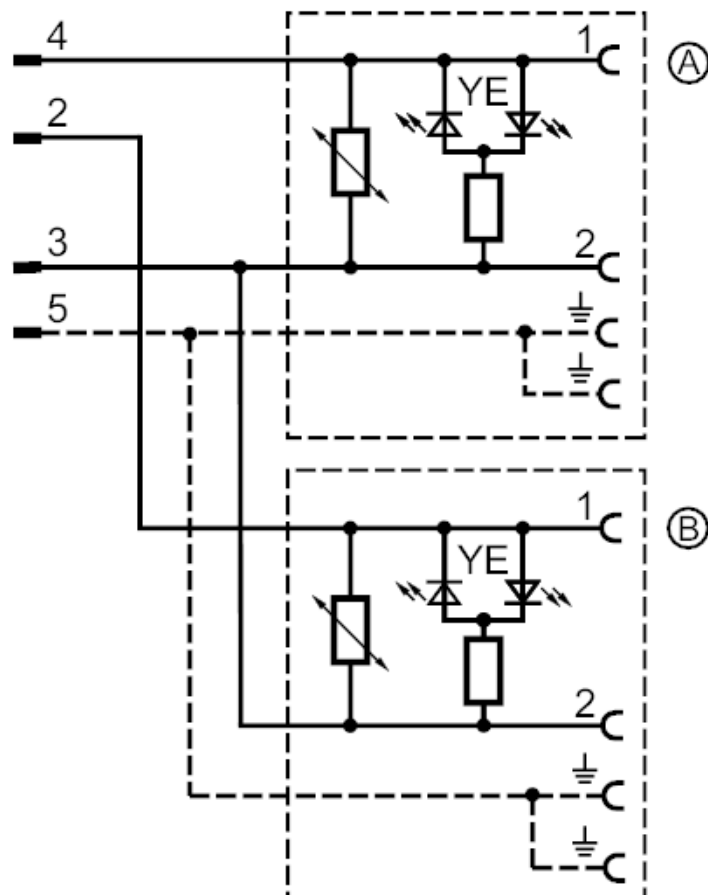
Connector: 1 x M12, straight; Moulded body: TPU; Locking: brass, nickel-plated



Electrical connection

Cable: 1 m, PUR, Halogen-free, black, Ø 4.8 mm; 3 x 0.5 mm² (16 x Ø 0.2 mm)

Connection



Electrical connection - socket

Connector: 2 x valve type A DIN, angled; Moulded body: TPU; Locking: brass, nickel-plated

E70203



Y-jumper with valve plug

YVDAA042--S0001H03STGH050MSS

