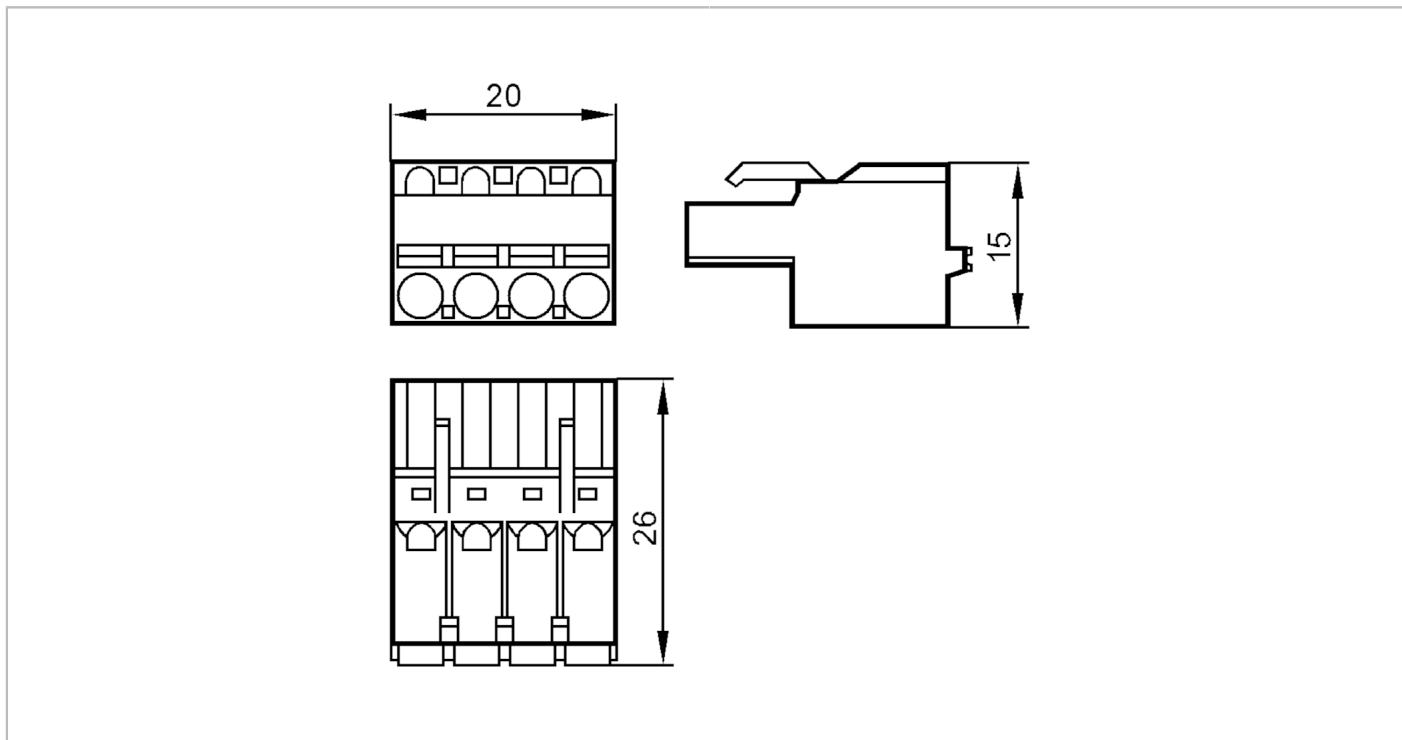


E70233



COMBICON connector

Combicon plug/quantity 100



Electrical data

| | | |
|--------------------|------|-----------------------------|
| Contact resistance | [mΩ] | 1.5; (2,5 mm ²) |
| Max. load current | [A] | 12; (2,5 mm ²) |

Mechanical data

| | | |
|-----------|-----|---|
| Weight | [g] | 690 |
| Materials | | current carrying parts: copper alloy tin-plated |

Remarks

| | | |
|---------------|--|----------|
| Pack quantity | | 100 pcs. |
|---------------|--|----------|