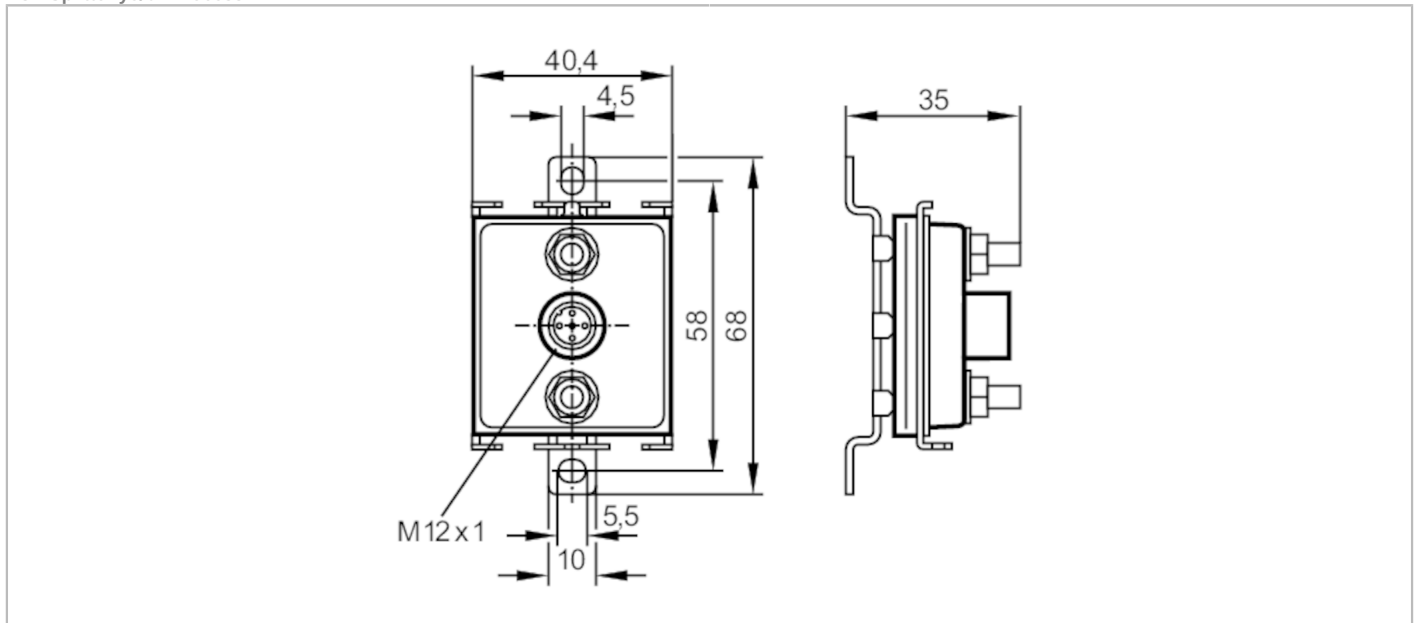


E70372



AS-Interface flat cable insulation displacement connector

FCE Splitter ye/bk ProcessL



Application	
Design	AS-i / 24 V
Electrical data	
Max. current load total [A]	2
Outputs	
Electrical design	AS-i
Operating conditions	
Ambient temperature [°C]	-30...80
Protection	IP 68; IP 69K
Tests / approvals	
EMC	EN 61000-6-2
Mechanical data	
Weight [g]	104
Materials	metal parts: stainless steel (1.4404 / 316L); rubber gasket for contact pins: FPM; O-ring: EPDM
Accessories	
Accessories (optional)	Torque wrench., E70390
Remarks	
Pack quantity	1 pcs.
Electrical connection	
Connector: 1 x M12	

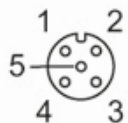
E70372



AS-Interface flat cable insulation displacement connector

FCE Splitter ye/bk ProcessL

Electrical connection - socket



Connection

1	AS-i +
2	0 V
3	AS-i -
4	+ 24 V
5	n. c.