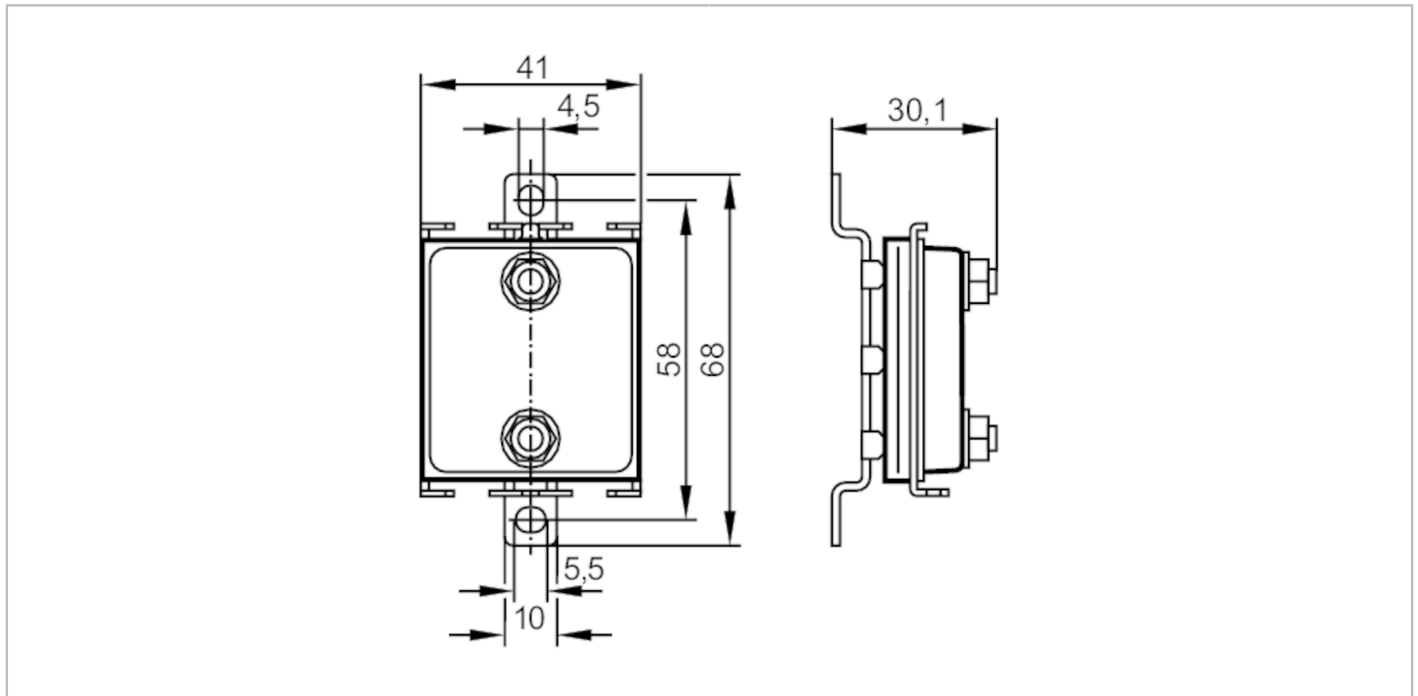


E70377



AS-Interface flat cable splitter

FCE Splitter yeye ProcessL



Application	
Design	AS-i / 24 V
Electrical data	
Protection class	III
Max. current load total [A]	8
Outputs	
Electrical design	AS-i
Operating conditions	
Ambient temperature [°C]	-30...80
Protection	IP 68; IP 69K
Tests / approvals	
EMC	EN 61000-6-2
Mechanical data	
Weight [g]	101.5
Materials	metal parts: stainless steel (1.4404 / 316L); rubber gasket for contact pins: FPM; O-ring: EPDM
Accessories	
Accessories (optional)	Torque wrench., E70390
Remarks	
Remarks	tightening torque screws < 2,5 Nm
Pack quantity	1 pcs.