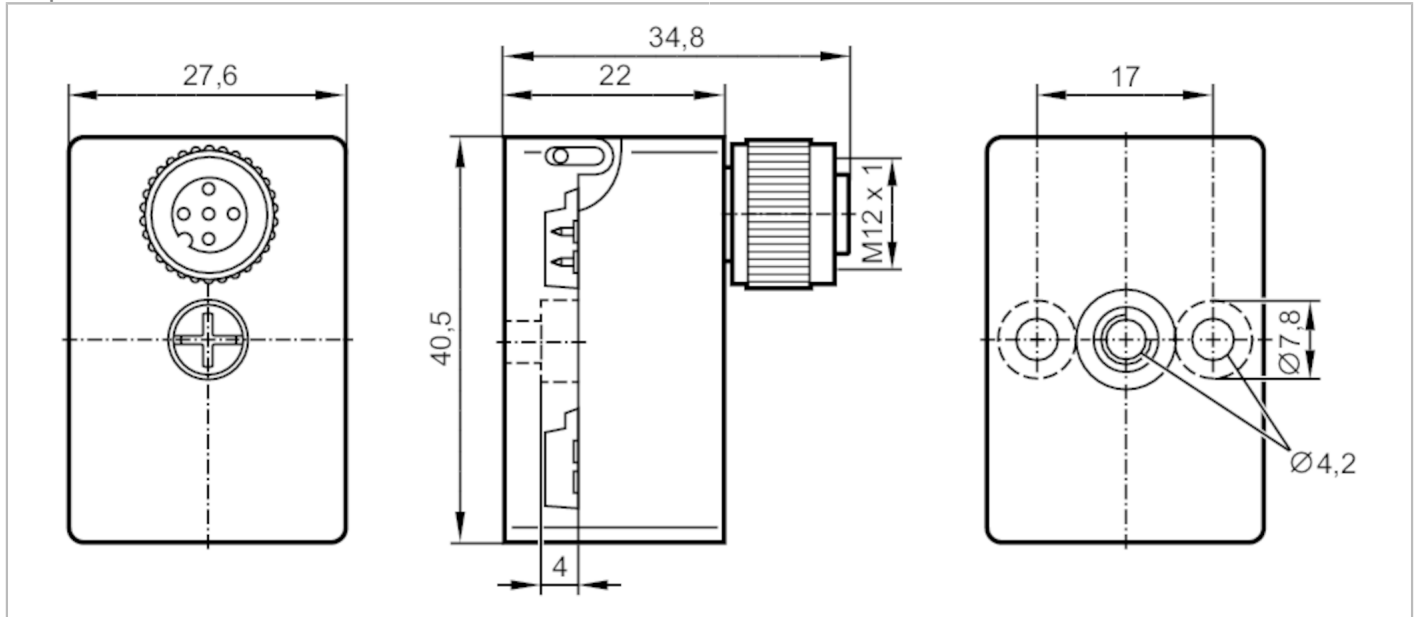




AS-Interface flat cable insulation displacement connector

FC Splitter AS-i / AUX M12 UL



Electrical data

Protection class		III
Max. current load per module/slot	[A]	4

Outputs

Electrical design		AS-i
-------------------	--	------

Operating conditions

Ambient temperature	[°C]	-25...75
Protection		IP 67

Mechanical data

Weight	[g]	60.5
Materials		Housing: PBT / PC; screw: stainless steel (1.4305 / 303)
Tightening torque	[Nm]	< 1.65

Accessories

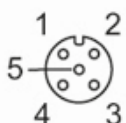
Accessories (optional)		flat cable end seal:, E70413 heat-shrink cap:, E70113
------------------------	--	--

Remarks

Remarks		The flat cable should not end in the splitter. Use a flat cable seal or heat-shrink cap for sealing.
Pack quantity		1 pcs.

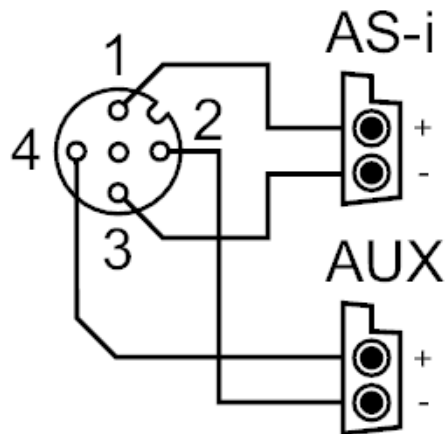
Electrical connection

Connector: M12; Moulded body: PUR



**AS-Interface flat cable insulation displacement
connector**

FC Splitter AS-i / AUX M12 UL

Connection

1	AS-i +
2	AUX -
3	AS-i -
4	AUX +