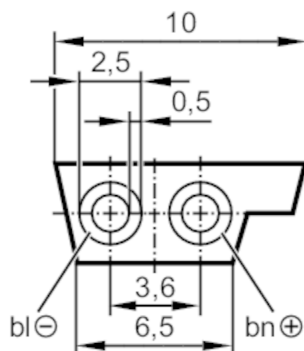


E74002



AS-Interface flat cable

Flat cable 50 meter EPDM ye



Application

Special feature Halogen-free

Electrical data

Operating voltage [V] 26.5...31.6 DC

Operating conditions

Ambient temperature [°C] -40...85

Mechanical data

Weight [g] 3720.5

Remarks

Remarks 50 m form supplied: coiled

Pack quantity 50 m

Electrical connection

Cable: 50 m, EPDM, Halogen-free, yellow; 2 x 1.5 mm²