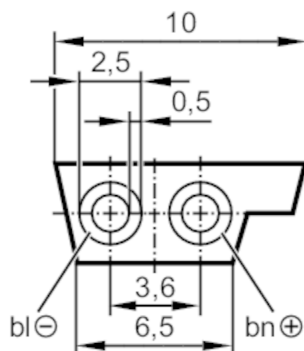


# E74012



## AS-Interface flat cable

Flat cable 50 meter EPDM bk



### Application

Special feature	Halogen-free
Application	external 24 V power supply

### Electrical data

Operating voltage	[V]	24 DC
-------------------	-----	-------

### Operating conditions

Ambient temperature	[°C]	-40...85
---------------------	------	----------

### Mechanical data

Weight	[g]	3674
--------	-----	------

### Remarks

Pack quantity	50 m
---------------	------

### Electrical connection

Cable: 50 m, EPDM, Halogen-free, black; 2 x 1.5 mm<sup>2</sup>