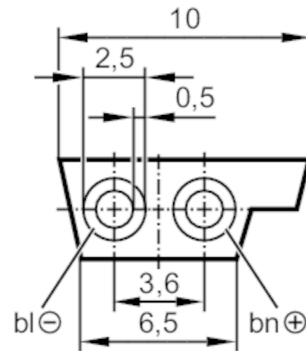


# E74310



## AS-Interface flat cable

Flat cable 100 m Process bk



### Application

Design	for use of insulation displacement technology
Application	food industry; external 24 V power supply

### Electrical data

Operating voltage	[V]	24 DC; (Peak voltage 300 V)
-------------------	-----	-----------------------------

### Operating conditions

Ambient temperature	[°C]	-40...105
---------------------	------	-----------

### Mechanical data

Weight	[g]	6791
--------	-----	------

### Remarks

Remarks	100 m form supplied: coiled
Pack quantity	100 m

### Electrical connection

Cable: 100 m, TPE-PVC compound, black; 2 x 1.5 mm<sup>2</sup>