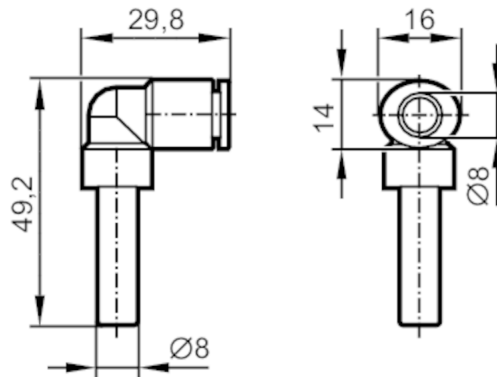


E75228



Push-in L-fitting for pneumatic connections

AirBox push-in L-connect 10pcs



| Application | |
|--------------------------|--|
| Media | compressed air according to ISO 8573-1: 2001 |
| Operating conditions | |
| Operating pressure [bar] | 10; (min. -0,95) |
| Ambient temperature [°C] | -20...80 |
| Mechanical data | |
| Weight [g] | 69.5 |
| Materials | housing: nickel-plated brass / PA66; release ring: polyoxymethylene; Tooth lock washer: stainless steel; form ring: NBR |
| Tube fittings | 8 mm |
| Sleeve diameter [mm] | 8 |
| Remarks | |
| Pack quantity | 10 pcs. |