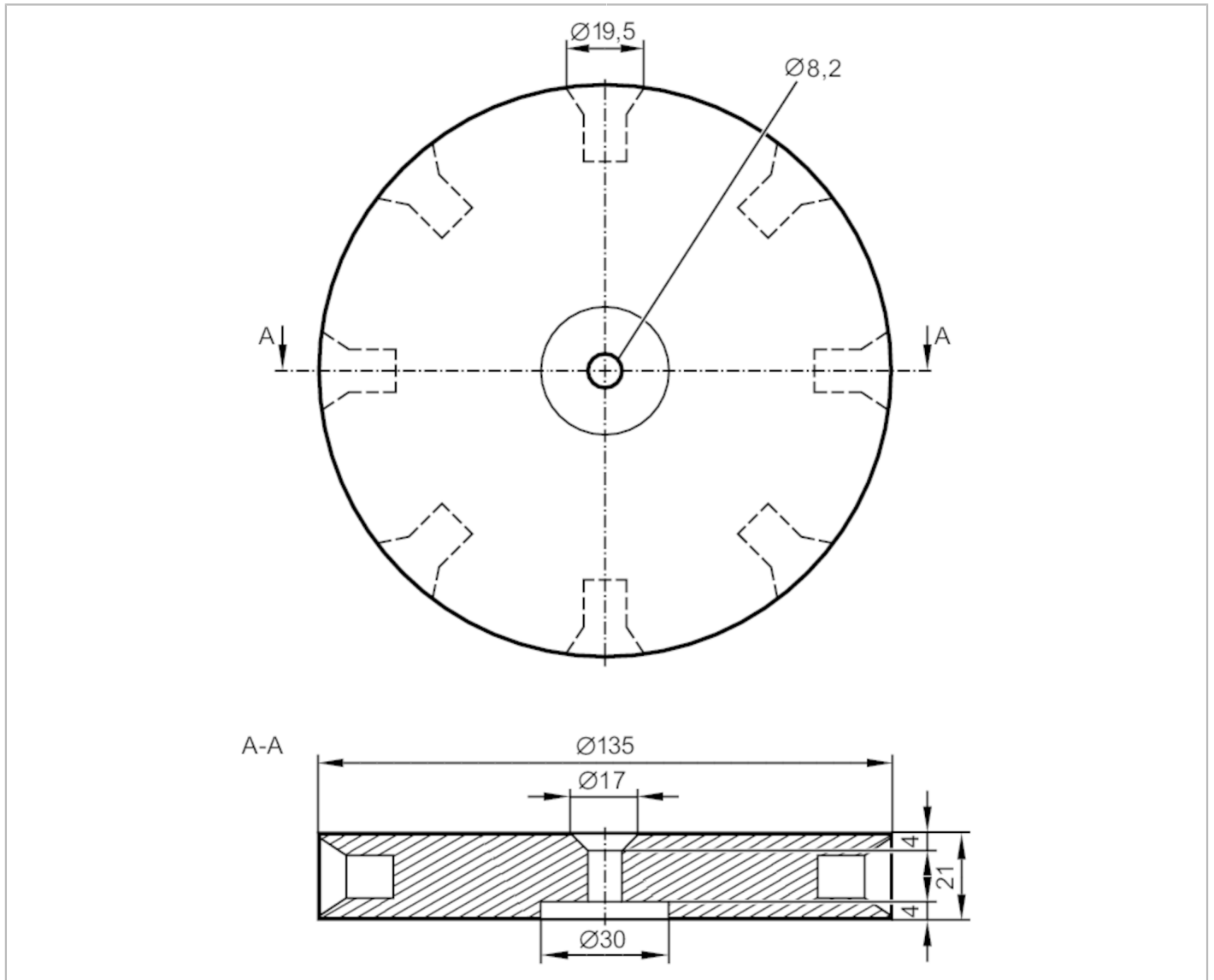


E89010



Cam wheel

TARGET WHEEL/8,2mm



Product characteristics	
Dimensions	[mm] 135 x 135 x 21
Application	
Application	for detection of very low rotational speeds and conversion to a higher pulse number per minute; with even mark-to-space ratio ; e.g. for the use of a frequency-to-current converter
Mechanical data	
Weight	[g] 490
Dimensions	[mm] 135 x 135 x 21
Materials	disc: Delrin; screws: CK 45
Remarks	
Remarks	The socket head screws can be removed to reduce the number of cams.