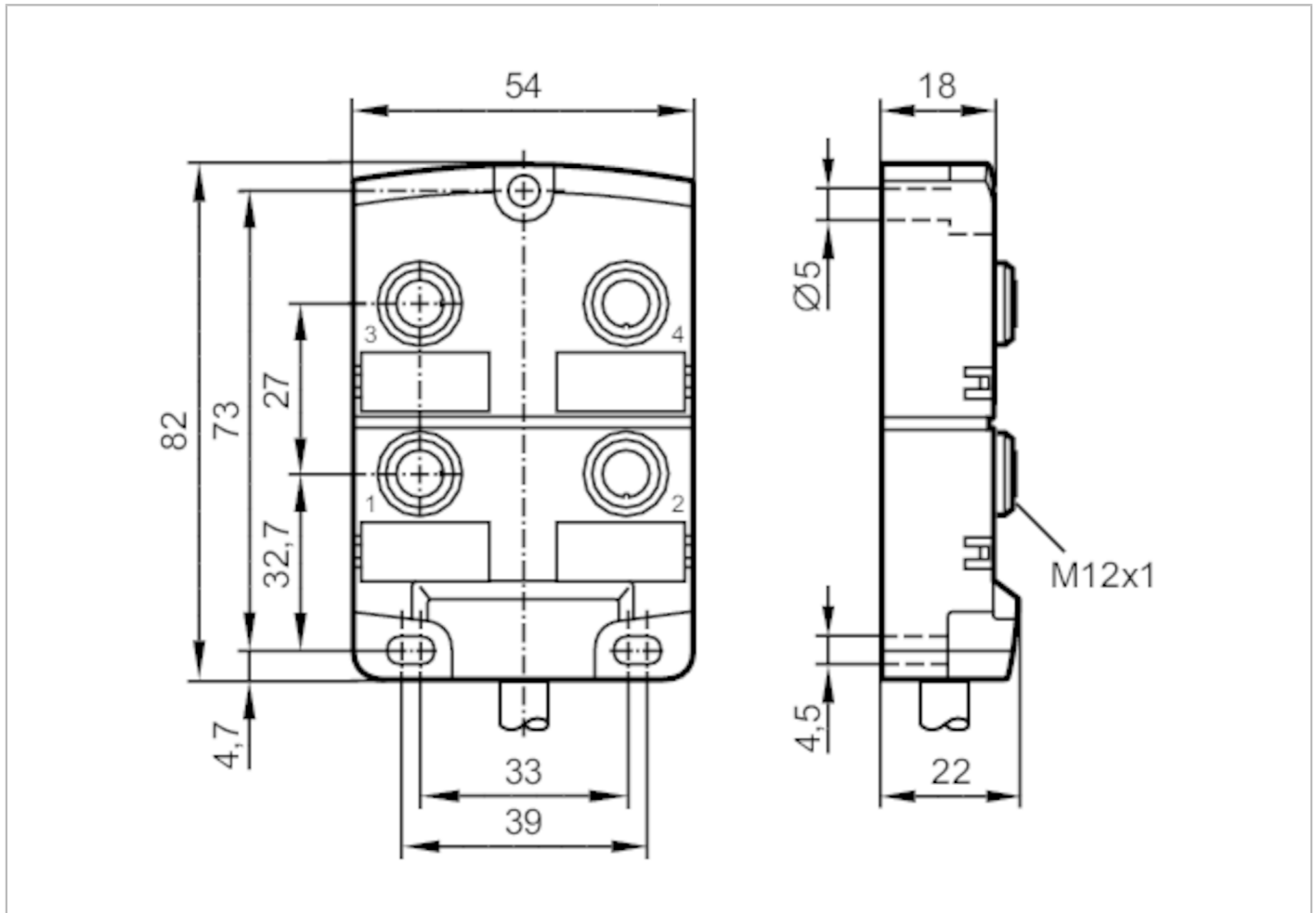


# EBC025



## Splitter box

ZDO4H050MSS0010H07



### Application

Special feature	Free from silicone; Halogen-free; Gold-plated contacts; Drag chain suitability
Free from silicone	yes

### Electrical data

Operating voltage	[V]	< 30 AC/DC; ("supply class 2" to cULus)
Protection class		II
Max. current load per module/slot	[A]	4
Max. current load total	[A]	12

### Operating conditions

Ambient temperature	[°C]	-25...80
Ambient temperature (moving)	[°C]	-5...60
Protection		IP 67; IP 68

# EBC025



## Splitter box

ZDO4H050MSS0010H07

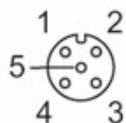
Mechanical data		
Weight	[g]	937
Dimensions	[mm]	18 x 54 x 82
Materials		PA
Moulded-body material		PA
Number of ports splitter box		4
Connector type		M12
Drag chain suitability		yes
Drag chain suitability	bending radius for flexible use	min. 10 x cable diameter
	bending cycles	> 2 Mio.

Accessories	
Items supplied	Protective caps: 2 labels: 4

Remarks	
Pack quantity	1 pcs.

Electrical connection	
Cable: 10 m, PUR, Halogen-free, black, Ø 7.5 mm; 4 x 0.34 mm <sup>2</sup> (43 x Ø 0.1 mm ) + 3 x 1 mm <sup>2</sup> (55 x Ø 0.15 mm )	

Electrical connection - slot	
Connector: 4 x M12; Moulded body: PA; Contacts: gold-plated; Tightening torque: 0.8...1.5 Nm	





## Splitter box

ZDO4H050MSS0010H07

### Connection

<u>BN</u>	1 (1...4)	C
<u>BU</u>	3 (1...4)	C
<u>GN/YE</u>	5 (1...4)	C
<u>WH</u>	4 (1)	C
<u>GN</u>	4 (2)	C
<u>YE</u>	4 (3)	C
<u>GY</u>	4 (4)	C

#### Core colours :

BN =	brown
BU =	blue
GN =	green
GY =	grey
WH =	white
YE =	yellow