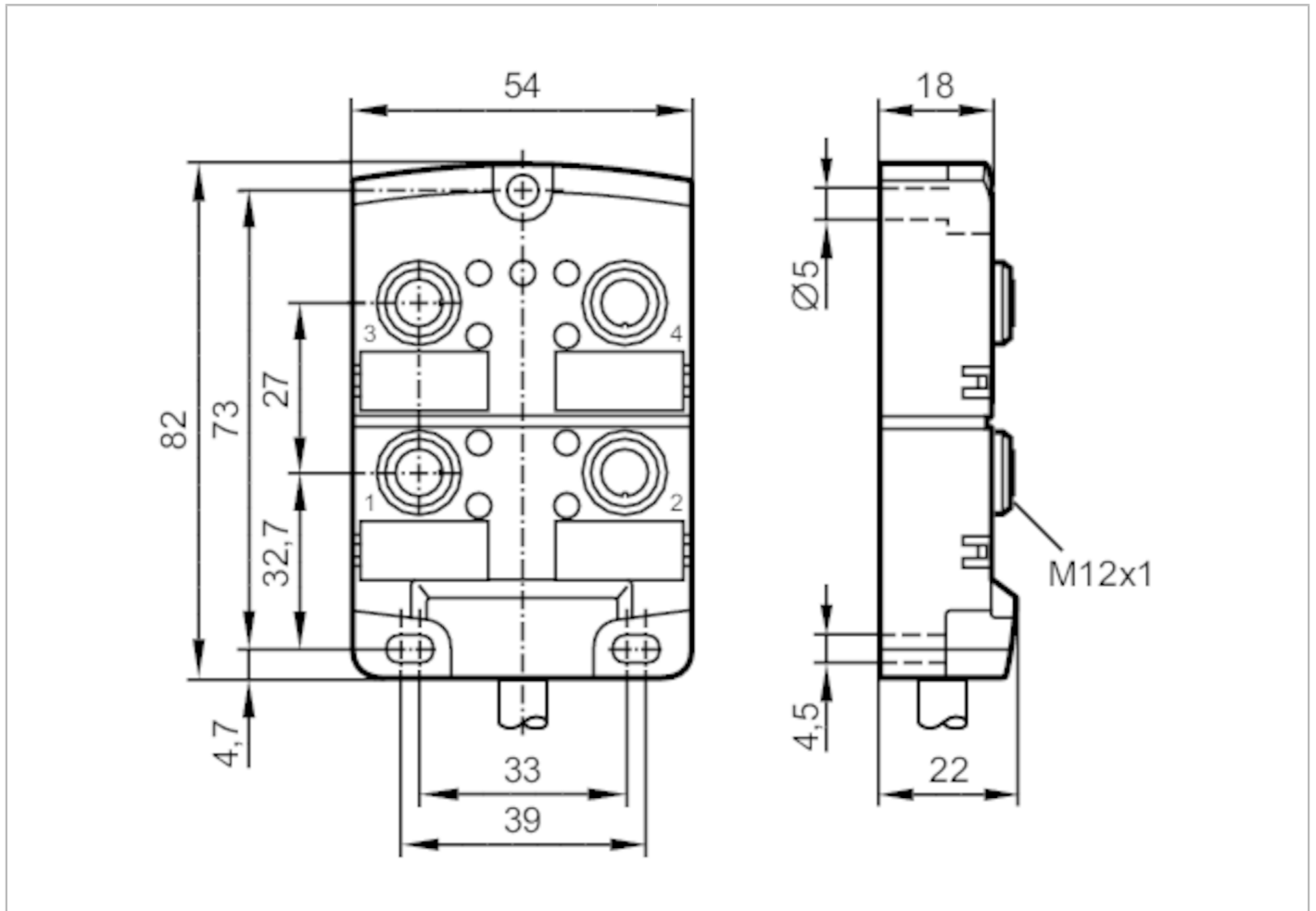


EBC028



Splitter box

ZDO4H059MSS0010H11



Application	
Special feature	Free from silicone; Halogen-free; Gold-plated contacts; Drag chain suitability
Free from silicone	yes
Electrical data	
Operating voltage [V]	10...30 DC; ("supply class 2" to cULus)
Protection class	II
Max. current load per module/slot [A]	4
Max. current load total [A]	12
Outputs	
Electrical design	PNP
Operating conditions	
Ambient temperature [°C]	-25...80
Ambient temperature (moving) [°C]	-5...60
Protection	IP 67; IP 68

EBC028



Splitter box

ZDO4H059MSS0010H11

Mechanical data		
Weight	[g]	1137.5
Dimensions	[mm]	22 x 54 x 82
Materials		PA
Moulded-body material		PA
Number of ports splitter box		4
Connector type		M12
Drag chain suitability		yes
Drag chain suitability	bending radius for flexible use	min. 10 x cable diameter
	bending cycles	> 2 Mio.

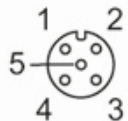
Displays / operating elements		
Display	switching status	8 x LED, yellow
	operation	1 x LED, green

Accessories		
Items supplied	Protective caps:	2
	labels:	4

Remarks		
Pack quantity		1 pcs.

Electrical connection		
Cable: 10 m, PUR, Halogen-free, black, Ø 8.2 mm; 8 x 0.34 mm ² (43 x Ø 0.1 mm) + 3 x 1.0 mm ² (55 x Ø 0.15 mm)		

Electrical connection - slot		
Connector: 4 x M12; Moulded body: PA; Contacts: gold-plated; Tightening torque: 0.8...1.5 Nm		



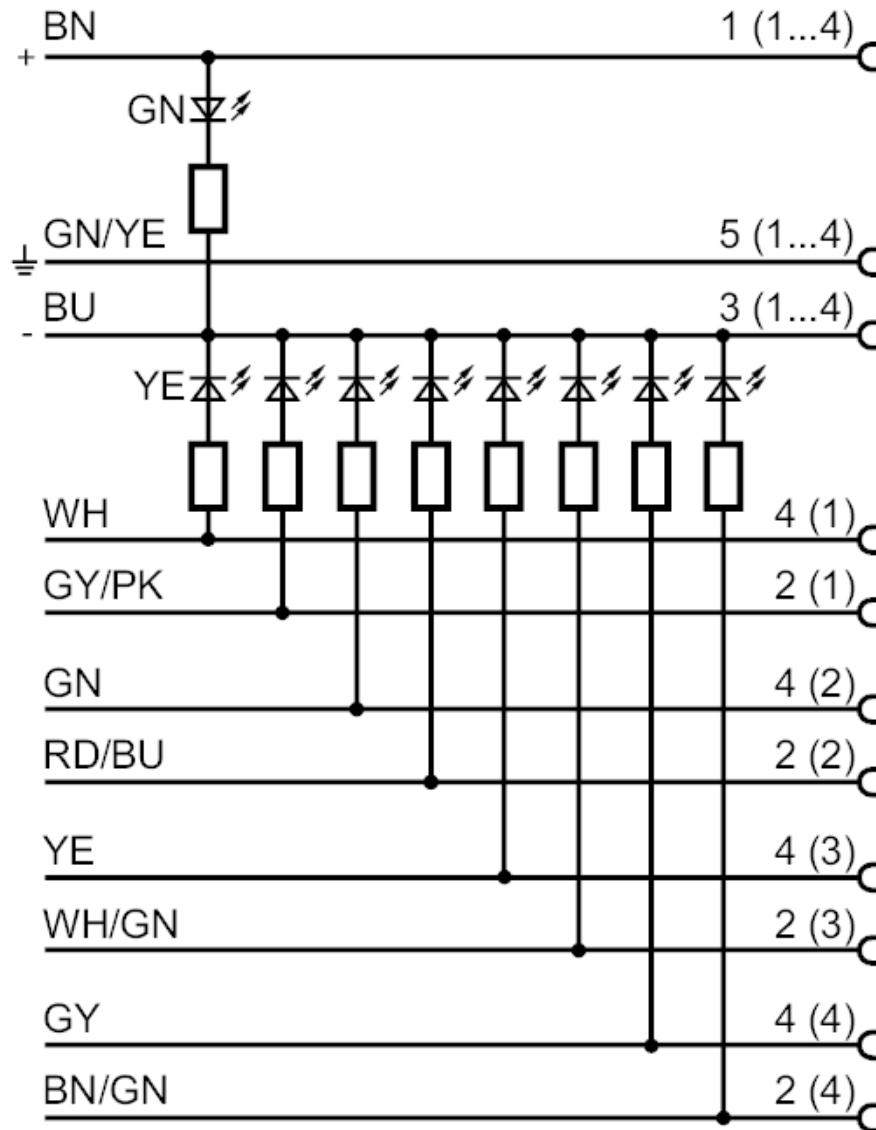
EBC028



Splitter box

ZDO4H059MSS0010H11

Connection



Core colours :

- BN = brown
- BU = blue
- GN = green
- GY = grey
- PK = pink
- RD = red
- WH = white
- YE = yellow