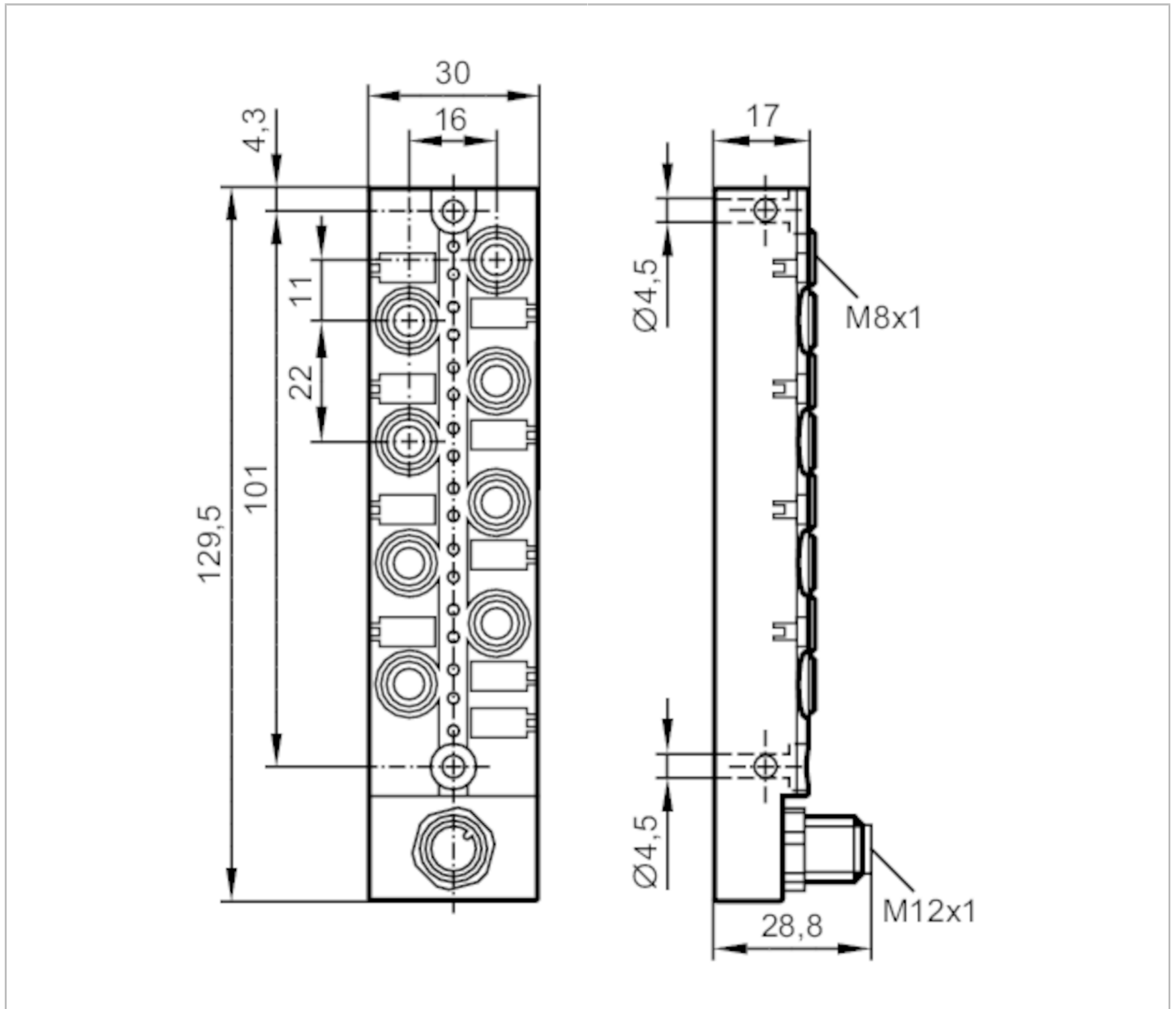


# EBC045



## Splitter box

ZD08F039MSS0000-STGH120MSS



CE

Application	
Special feature	Gold-plated contacts
Electrical data	
Operating voltage	[V] 15...30 DC
Protection class	III
Max. current load per module/slot	[A] 1
Max. current load total	[A] 1
Outputs	
Electrical design	PNP

# EBC045



## Splitter box

ZDO8F039MSS0000-STGH120MSS

### Operating conditions

Ambient temperature	[°C]	-25...80
Ambient temperature (moving)	[°C]	-5...60
Protection		IP 67

### Mechanical data

Weight	[g]	125
Dimensions	[mm]	28.8 x 30 x 129.5
Materials		PBT-GF20; brass nickel-plated
Moulded-body material		PBT-GF 20 / brass, nickel-plated / PBT-GF 20 / brass, nickel-plated
Number of ports splitter box		8
Connector type		M8

### Displays / operating elements

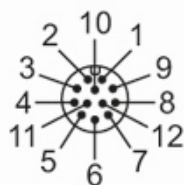
Display	switching status	8 x LED, yellow
	operation	1 x LED, green

### Remarks

Pack quantity	1 pcs.
---------------	--------

### Electrical connection - Connection

Connector: 1 x M12; Moulded body: PBT-GF 20 / brass, nickel-plated; Contacts: gold-plated; Tightening torque: 0.8...1.5 Nm

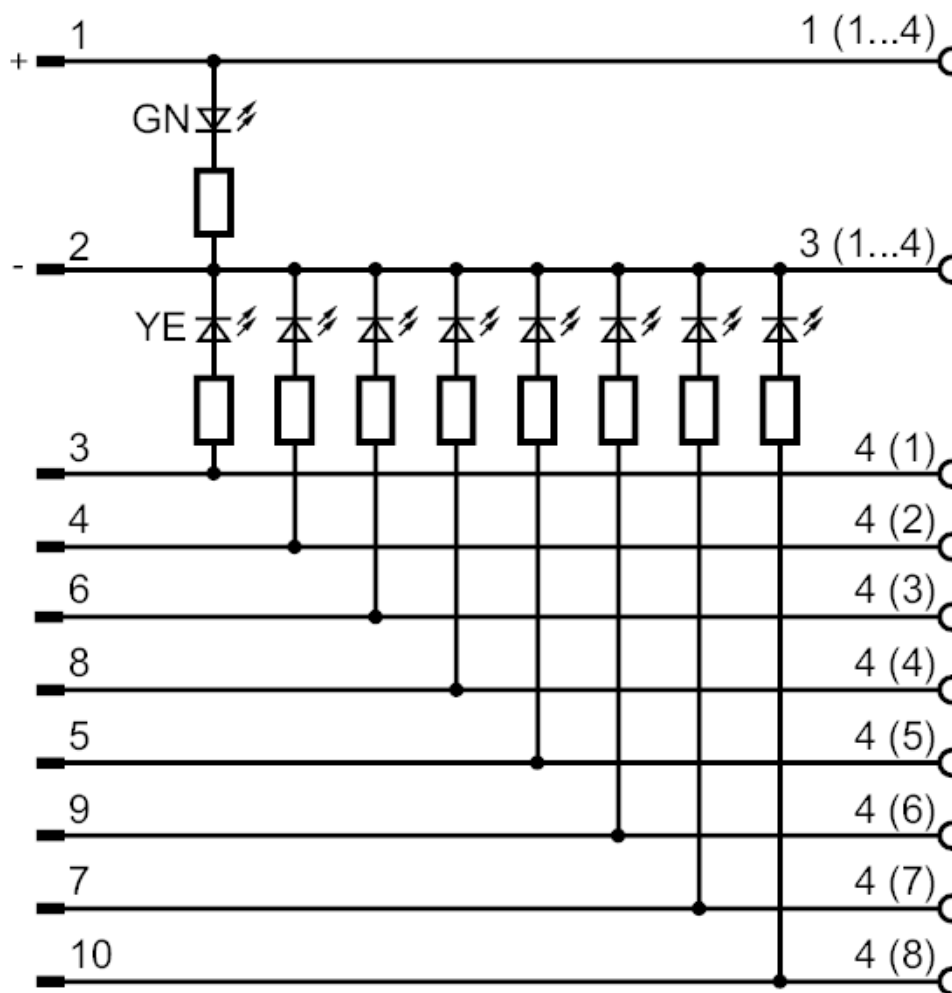




## Splitter box

ZDO8F039MSS0000-STGH120MSS

### Connection



### Electrical connection - slot

Connector: 8 x M8; Moulded body: PBT-GF 20 / brass, nickel-plated; Contacts: gold-plated; Tightening torque: 0.8...1.5 Nm

