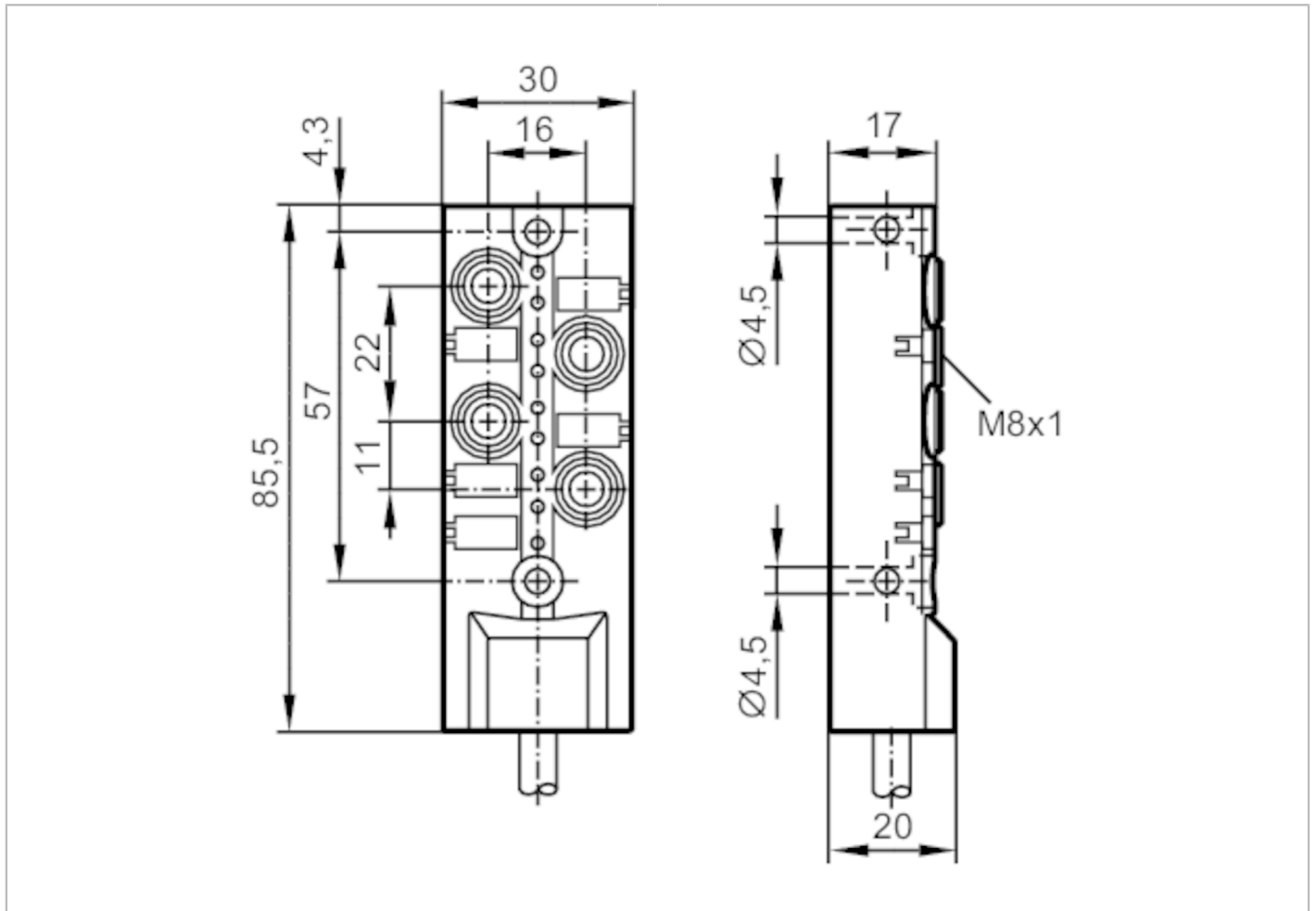


EBC052



Splitter box

ZDO4F049MSS0010H10



Application	
Special feature	Gold-plated contacts; Drag chain suitability
Electrical data	
Operating voltage [V]	10...30 DC; ("supply class 2" to cULus)
Protection class	III
Max. current load per module/slot [A]	2
Max. current load total [A]	6
Outputs	
Electrical design	PNP
Operating conditions	
Ambient temperature [°C]	-25...80
Ambient temperature (moving) [°C]	-5...60
Protection	IP 65; IP 67; IP 68



Splitter box

ZDO4F049MSS0010H10

Mechanical data		
Weight	[g]	840
Dimensions	[mm]	20 x 30 x 85.5
Materials		PBT-GF20; brass nickel-plated
Moulded-body material		PBT-GF 20 / brass, nickel-plated
Number of ports splitter box		4
Connector type		M8
Drag chain suitability		yes
Drag chain suitability	bending radius for flexible use	min. 10 x cable diameter
	travel speed	max. 3.3 m/s for a horizontal travel length of 5 m and max. acceleration of 5 m/s ²
	bending cycles	> 5 Mio.
	torsional strain	± 180 °/m

Displays / operating elements		
Display	switching status	8 x LED, yellow
	operation	1 x LED, green

Accessories		
Accessories (optional)		DIN rail adapter:, E73006
		Protective cap: M8, E73005

Remarks		
Pack quantity		1 pcs.

Electrical connection		
Cable: 10 m, PUR, black, Ø 7.4 mm; 8 x 0.34 mm ² (43 x Ø 0.1 mm) + 2 x 0.75 mm ² (21 x Ø 0.2 mm)		

Electrical connection - slot		
Connector: 4 x M8; Moulded body: PBT-GF 20 / brass, nickel-plated; Contacts: gold-plated		

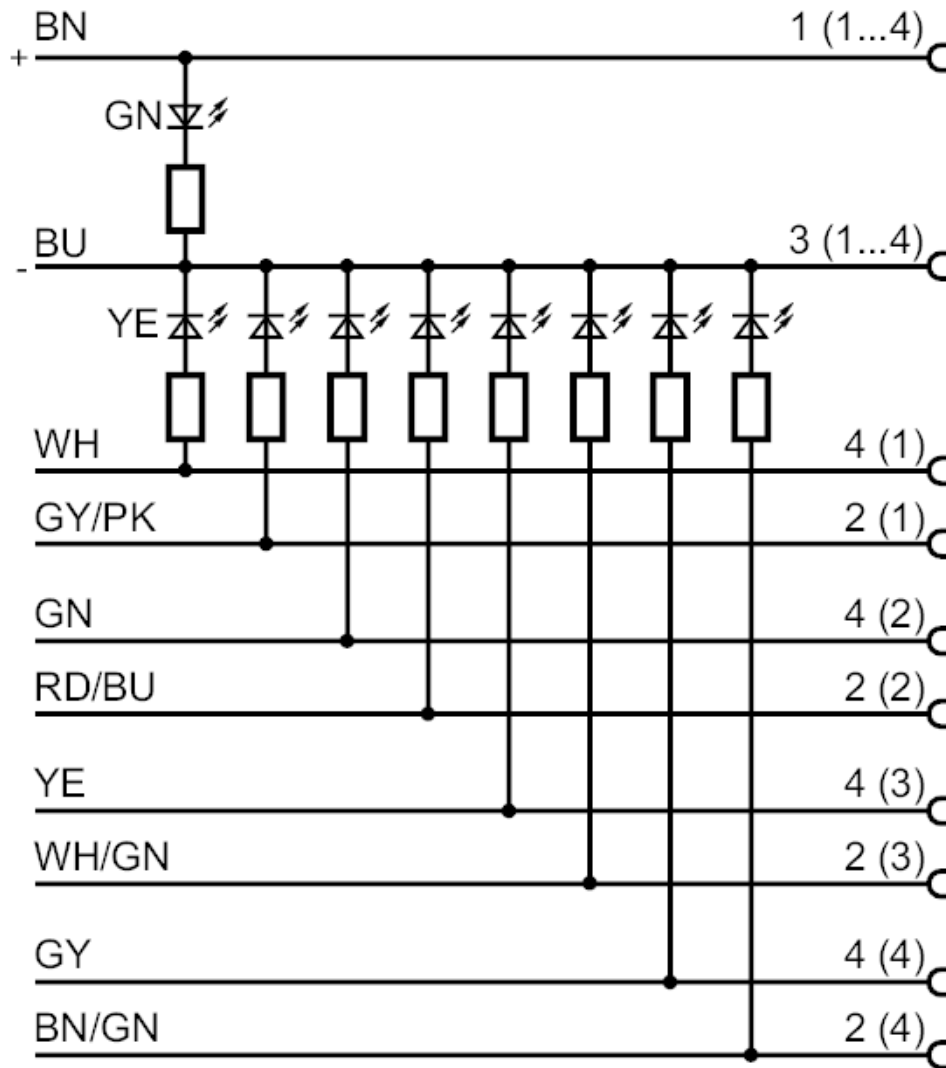




Splitter box

ZDO4F049MSS0010H10

Connection



Core colours :

BN =	brown
BU =	blue
GN =	green
GY =	grey
PK =	pink
RD =	red
WH =	white
YE =	yellow