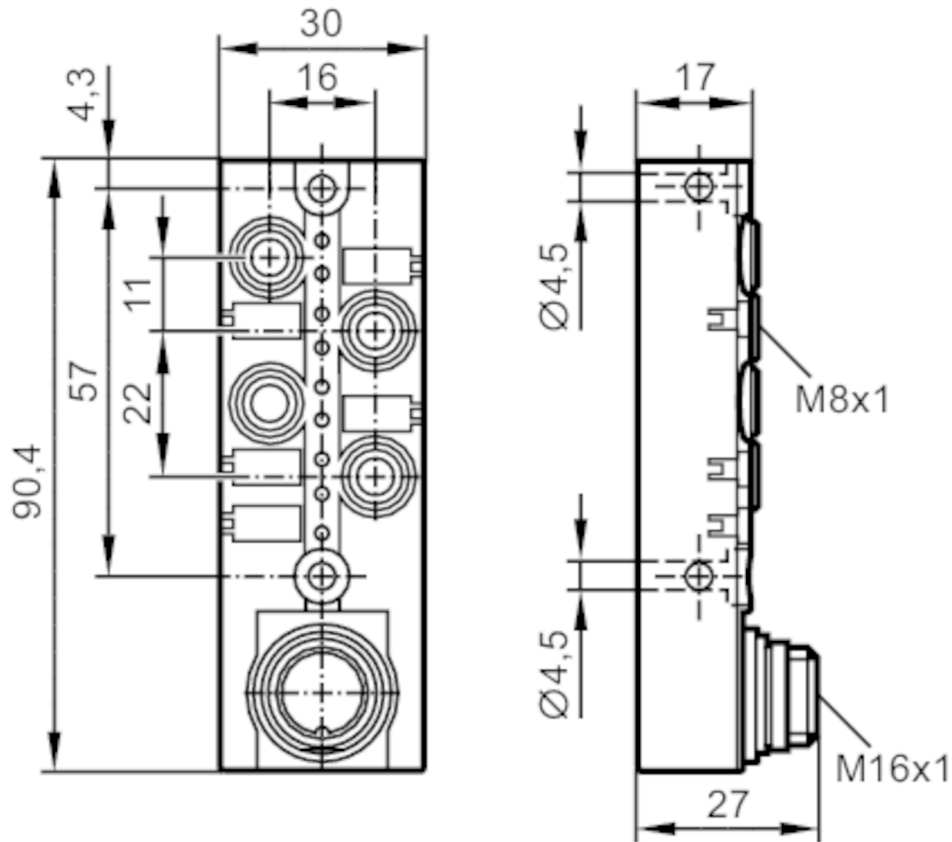




Splitter box

ZDO4F049MSS0000---STGO120MSS

Article no longer available - archive entry



Application

Special feature Gold-plated contacts

Electrical data

Operating voltage	[V]	10...30 DC; ("supply class 2" to cULus)
Protection class		III
Max. current load per module/slot	[A]	2
Max. current load total	[A]	6

Outputs

Electrical design PNP

Operating conditions

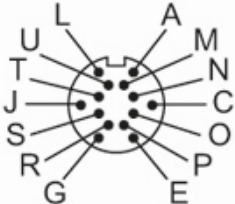
Ambient temperature	[°C]	-25...80
Ambient temperature (moving)	[°C]	-5...60
Protection		IP 67; IP 68; (1 m / 7 days)

EBC053



Splitter box

ZDO4F049MSS0000---STGO120MSS

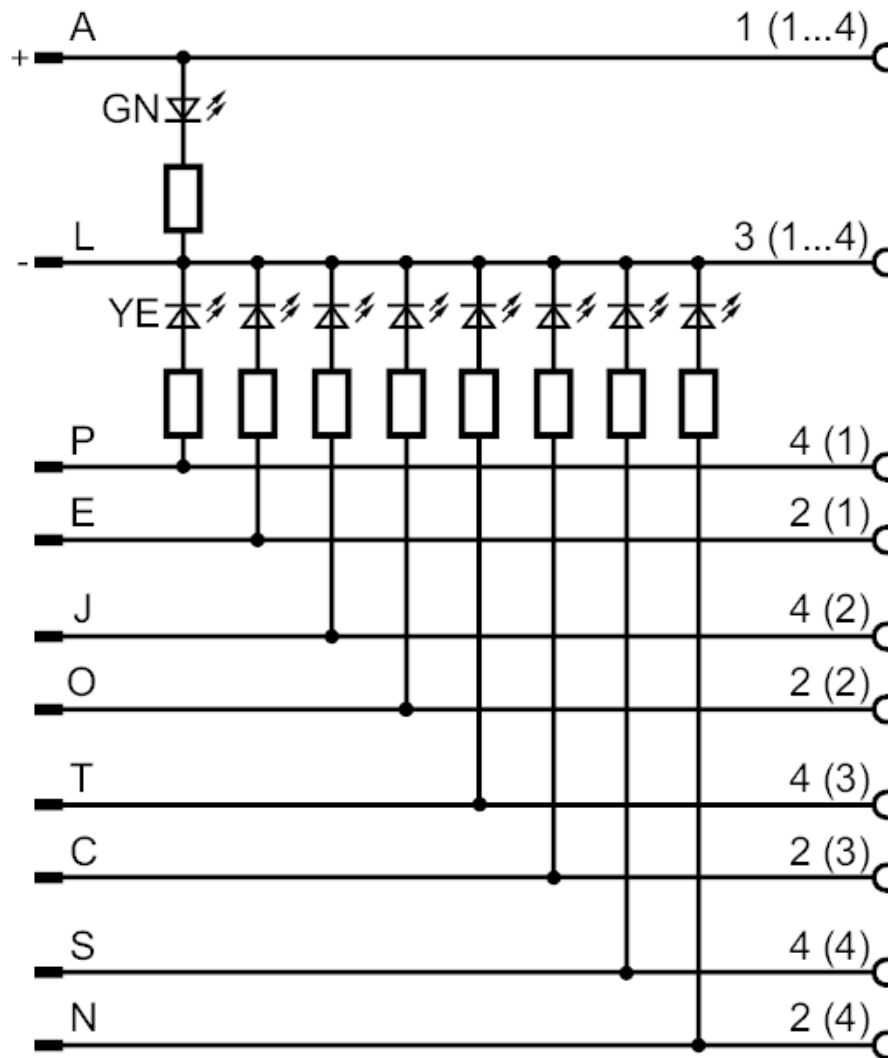
Mechanical data		
Weight	[g]	109.5
Dimensions	[mm]	27 x 30 x 90.4
Materials		PBT-GF20; brass nickel-plated
Moulded-body material		PBT-GF 20 / brass, nickel-plated / PBT-GF 20 / brass, nickel-plated
Number of ports splitter box		4
Connector type		M8
Displays / operating elements		
Display	switching status	8 x LED, yellow
	operation	1 x LED, green
Accessories		
Accessories (optional)		DIN rail adapter:, E73006
		Protective cap: M8, E73005
Remarks		
Pack quantity		1 pcs.
Electrical connection - Connection		
Connector: 1 x M16; Moulded body: PBT-GF 20 / brass, nickel-plated; Contacts: gold-plated		
		



Splitter box

ZDO4F049MSS0000---STGO120MSS

Connection



Electrical connection - slot

Connector: 4 x M8; Moulded body: PBT-GF 20 / brass, nickel-plated; Contacts: gold-plated

