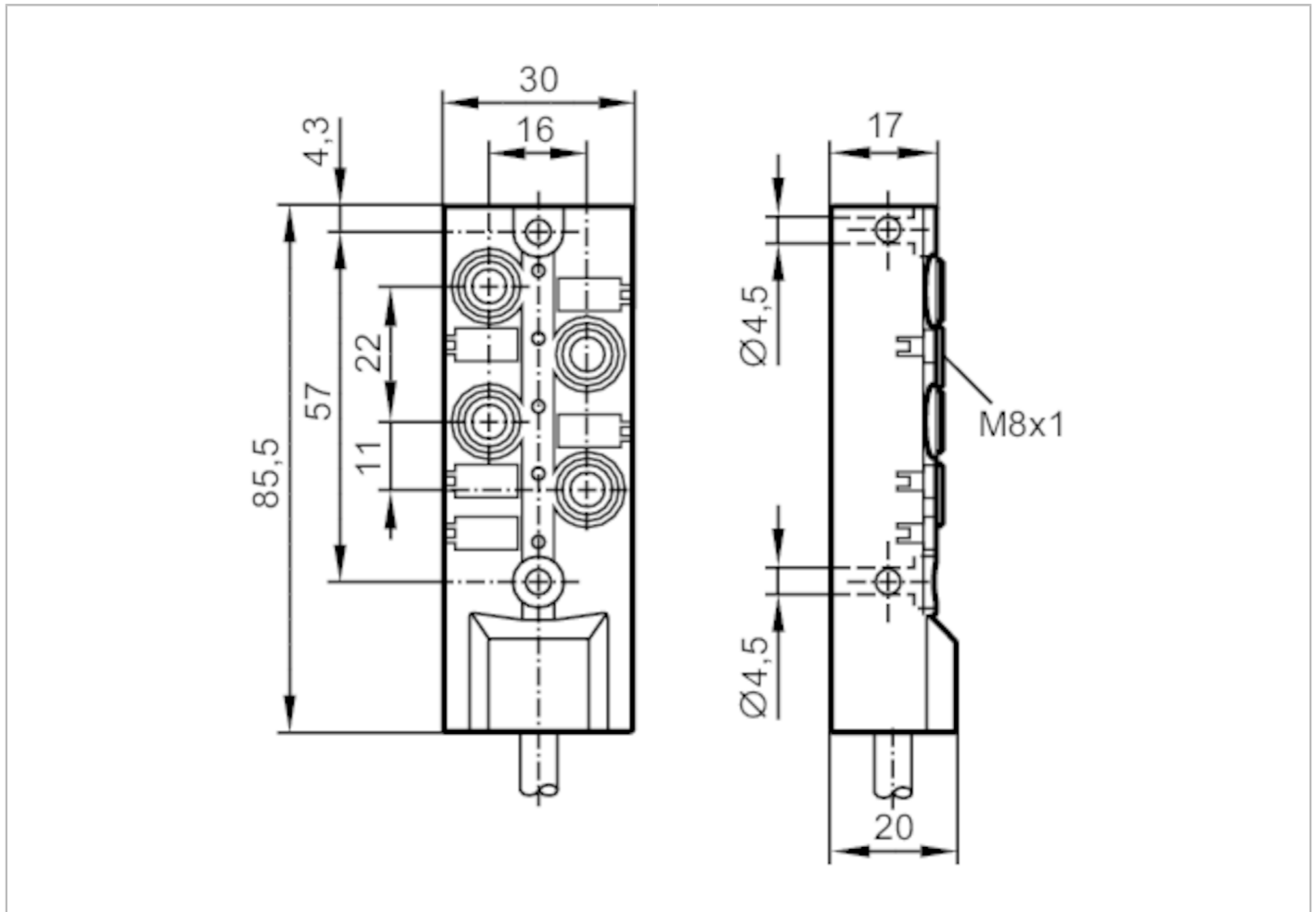


# EBC058



## Splitter box

ZDO4F035MSJ0005H10



| Application                           |                                                            |
|---------------------------------------|------------------------------------------------------------|
| Special feature                       | Halogen-free; Gold-plated contacts; Drag chain suitability |
| Electrical data                       |                                                            |
| Operating voltage [V]                 | 10...30 DC; ("supply class 2" to cULus)                    |
| Protection class                      | III                                                        |
| Max. current load per module/slot [A] | 2                                                          |
| Max. current load total [A]           | 6                                                          |
| Outputs                               |                                                            |
| Electrical design                     | NPN                                                        |
| Operating conditions                  |                                                            |
| Ambient temperature [°C]              | -25...80                                                   |
| Ambient temperature (moving) [°C]     | -5...60                                                    |
| Protection                            | IP 65; IP 67; IP 68                                        |

# EBC058



## Splitter box

ZDO4F035MSJ0005H10

| Mechanical data              |                                 |                                                                                                |
|------------------------------|---------------------------------|------------------------------------------------------------------------------------------------|
| Weight                       | [g]                             | 368.5                                                                                          |
| Materials                    |                                 | PBT-GF20; brass nickel-plated                                                                  |
| Moulded-body material        |                                 | PBT-GF 20 / brass, nickel-plated                                                               |
| Number of ports splitter box |                                 | 4                                                                                              |
| Connector type               |                                 | M8                                                                                             |
| Drag chain suitability       |                                 | yes                                                                                            |
| Drag chain suitability       | bending radius for flexible use | min. 10 x cable diameter                                                                       |
|                              | travel speed                    | max. 3.3 m/s for a horizontal travel length of 5 m and max. acceleration of 5 m/s <sup>2</sup> |
|                              | bending cycles                  | > 5 Mio.                                                                                       |
|                              | torsional strain                | ± 180 °/m                                                                                      |

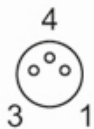
| Displays / operating elements |                  |                 |
|-------------------------------|------------------|-----------------|
| Display                       | switching status | 4 x LED, yellow |
|                               | operation        | 1 x LED, green  |

| Accessories            |                            |  |
|------------------------|----------------------------|--|
| Accessories (optional) | DIN rail adapter:, E73006  |  |
|                        | Protective cap: M8, E73005 |  |

| Remarks       |  |        |
|---------------|--|--------|
| Pack quantity |  | 1 pcs. |

| Electrical connection                                                                                                                 |  |  |
|---------------------------------------------------------------------------------------------------------------------------------------|--|--|
| Cable: 5 m, PUR, Halogen-free, black, Ø 6.4 mm; 4 x 0.34 mm <sup>2</sup> (43 x Ø 0.1 mm ) + 2 x 0.75 mm <sup>2</sup> (21 x Ø 0.2 mm ) |  |  |

| Electrical connection - slot                                                             |  |  |
|------------------------------------------------------------------------------------------|--|--|
| Connector: 4 x M8; Moulded body: PBT-GF 20 / brass, nickel-plated; Contacts: gold-plated |  |  |

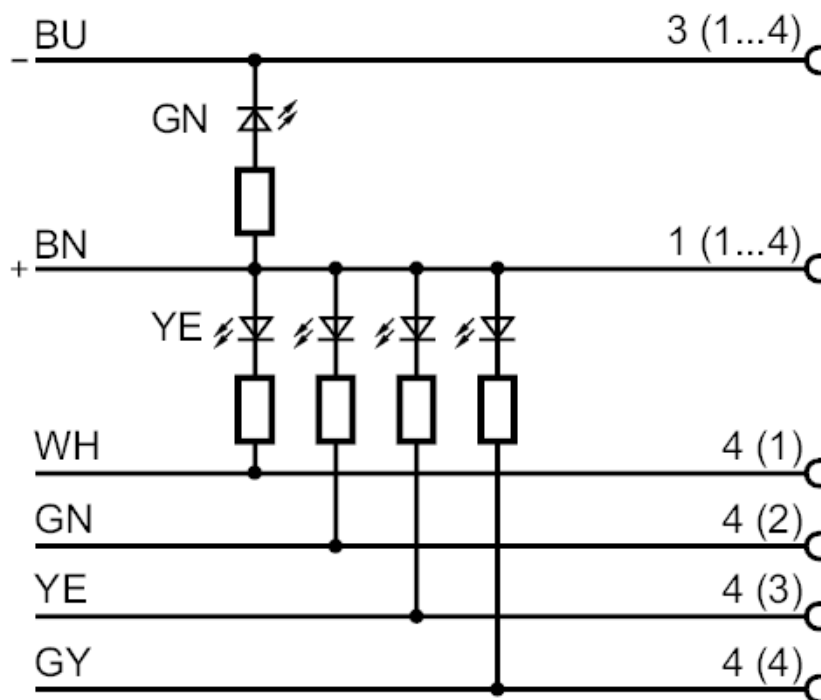




## Splitter box

ZDO4F035MSJ0005H10

### Connection



#### Core colours :

|      |        |
|------|--------|
| BN = | brown  |
| BU = | blue   |
| GN = | green  |
| GY = | grey   |
| WH = | white  |
| YE = | yellow |