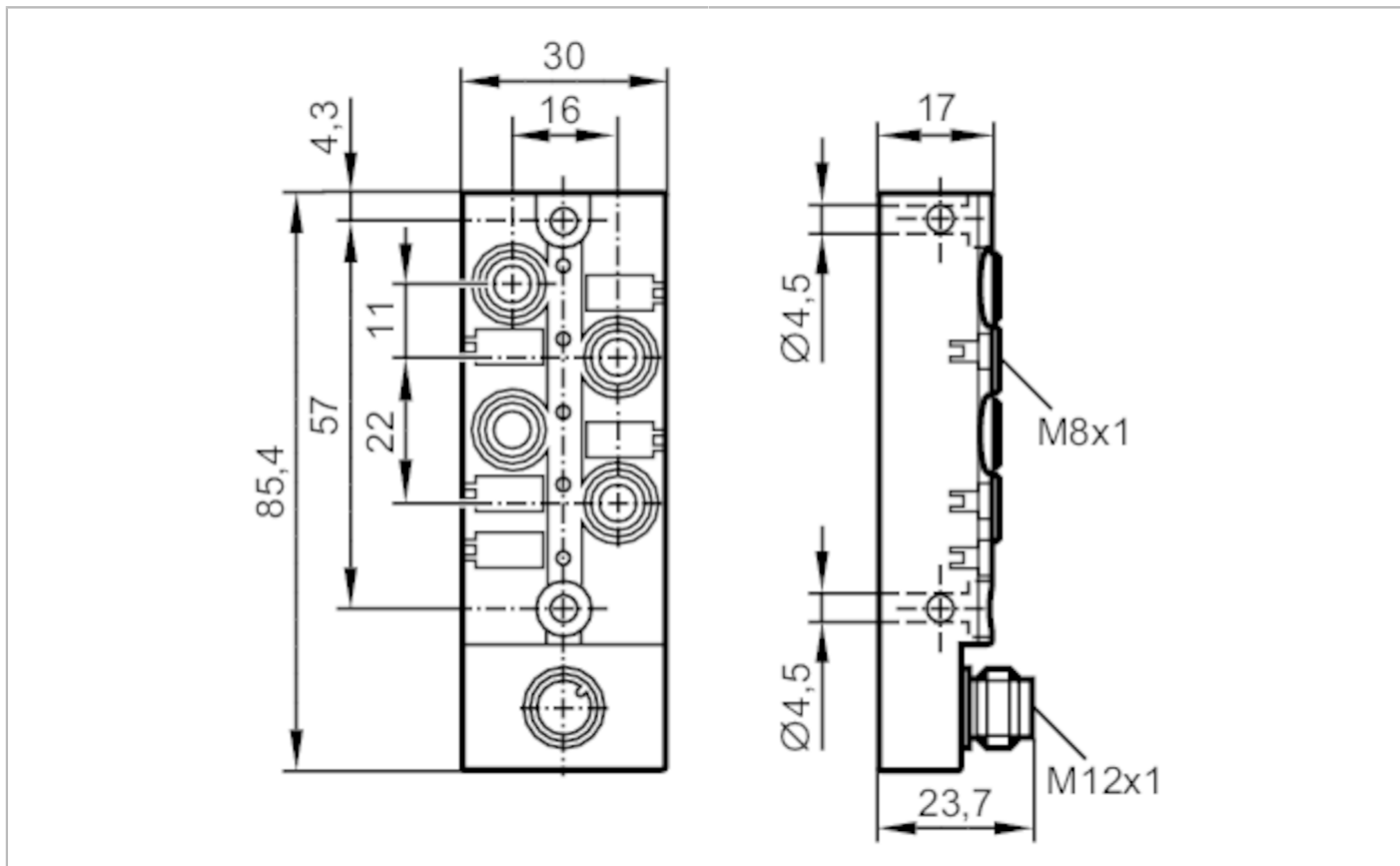


EBC060



Splitter box

ZDO4F035MSJ0000---STGH080MSJ



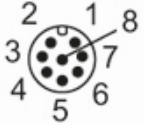
Application	
Special feature	Gold-plated contacts
Electrical data	
Operating voltage [V]	10...30 DC; ("supply class 2" to cULus)
Protection class	III
Max. current load per module/slot [A]	2
Max. current load total [A]	2
Outputs	
Electrical design	NPN
Operating conditions	
Ambient temperature [°C]	-25...80
Ambient temperature (moving) [°C]	-5...60
Protection	IP 65; IP 67; IP 68; (1 m / 7 days)

EBC060



Splitter box

ZDO4F035MSJ0000---STGH080MSJ

Mechanical data		
Weight	[g]	88
Dimensions	[mm]	23.7 x 30 x 85.4
Materials		PBT-GF20; brass nickel-plated
Moulded-body material		PBT-GF 20 / brass, nickel-plated / PBT-GF 20 / brass, nickel-plated
Number of ports splitter box		4
Connector type		M8
Displays / operating elements		
Display	switching status	4 x LED, yellow
	operation	1 x LED, green
Accessories		
Accessories (optional)		DIN rail adapter:, E73006
		Protective cap: M8, E73005
Remarks		
Pack quantity		1 pcs.
Electrical connection - Connection		
Connector: 1 x M12; Moulded body: PBT-GF 20 / brass, nickel-plated; Contacts: gold-plated		
		

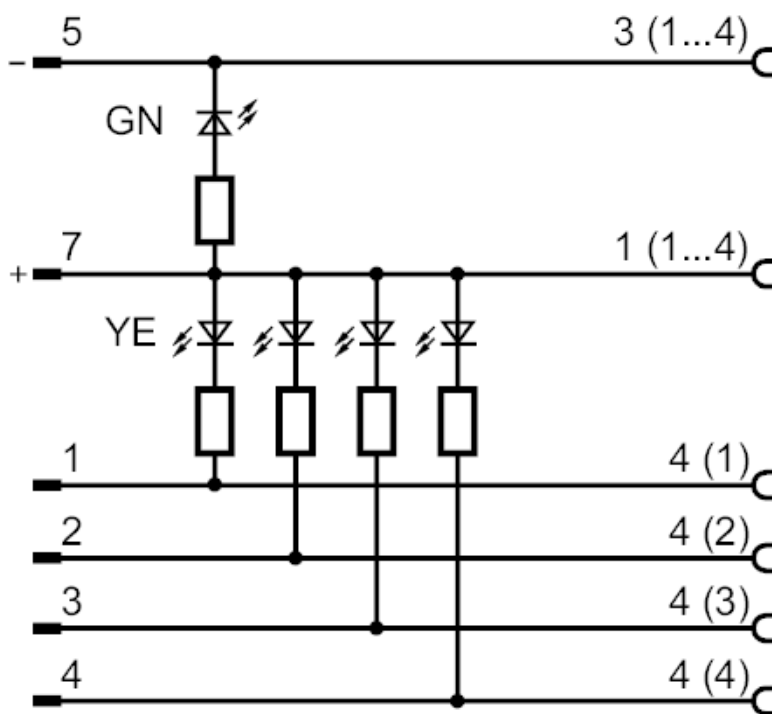
EBC060



Splitter box

ZDO4F035MSJ0000---STGH080MSJ

Connection



Electrical connection - slot

Connector: 4 x M8; Moulded body: PBT-GF 20 / brass, nickel-plated; Contacts: gold-plated

