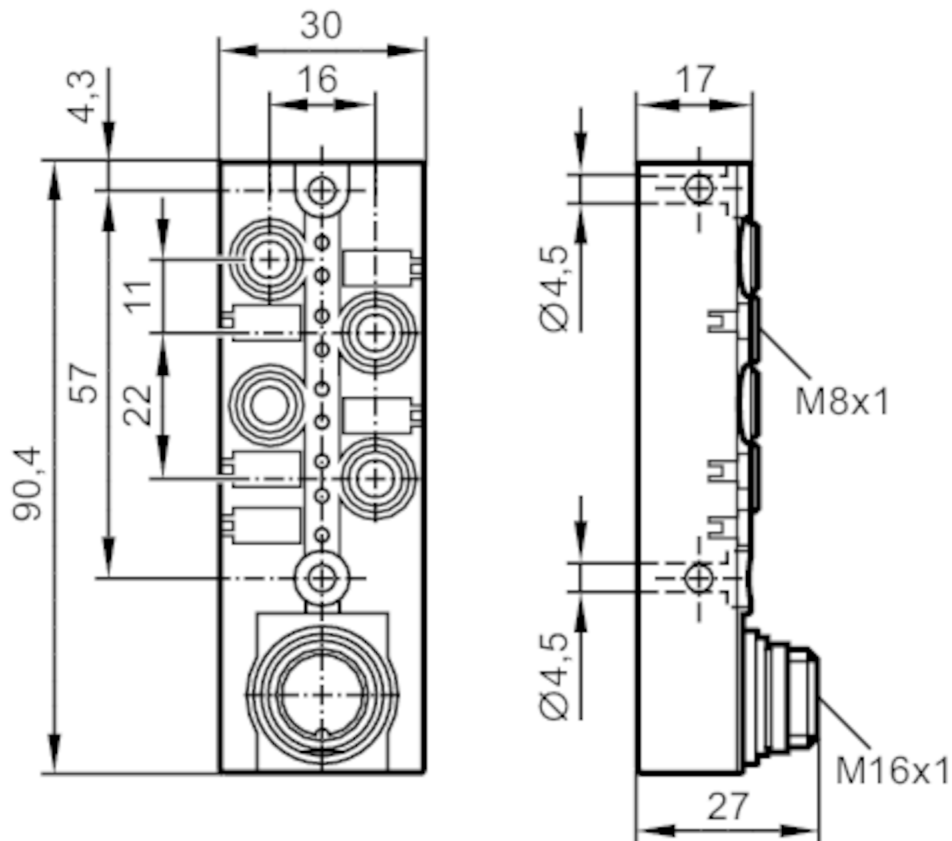




Splitter box

ZDO4F049MSJ0000---STGO120MSJ

Article no longer available - archive entry



Application

Special feature Gold-plated contacts

Electrical data

Operating voltage	[V]	10...30 DC; ("supply class 2" to cULus)
Protection class		III
Max. current load per module/slot	[A]	2
Max. current load total	[A]	6

Outputs

Electrical design NPN

Operating conditions

Ambient temperature	[°C]	-25...80
Ambient temperature (moving)	[°C]	-5...60
Protection		IP 67; IP 68; (1 m / 7 days)

EBC063



Splitter box

ZDO4F049MSJ0000---STGO120MSJ

Mechanical data	
Weight [g]	109
Dimensions [mm]	27 x 30 x 90.4
Materials	PBT-GF20; brass nickel-plated
Moulded-body material	PBT-GF 20 / brass, nickel-plated / PBT-GF 20 / brass, nickel-plated
Number of ports splitter box	4
Connector type	M8

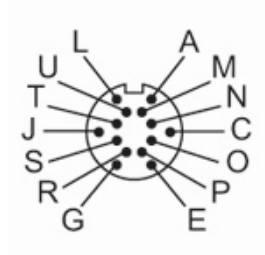
Displays / operating elements		
Display	switching status	8 x LED, yellow
	operation	1 x LED, green

Accessories	
Accessories (optional)	DIN rail adapter:, E73006
	Protective cap: M8, E73005

Remarks	
Pack quantity	1 pcs.

Electrical connection - Connection

Connector: 1 x M16; Moulded body: PBT-GF 20 / brass, nickel-plated; Contacts: gold-plated



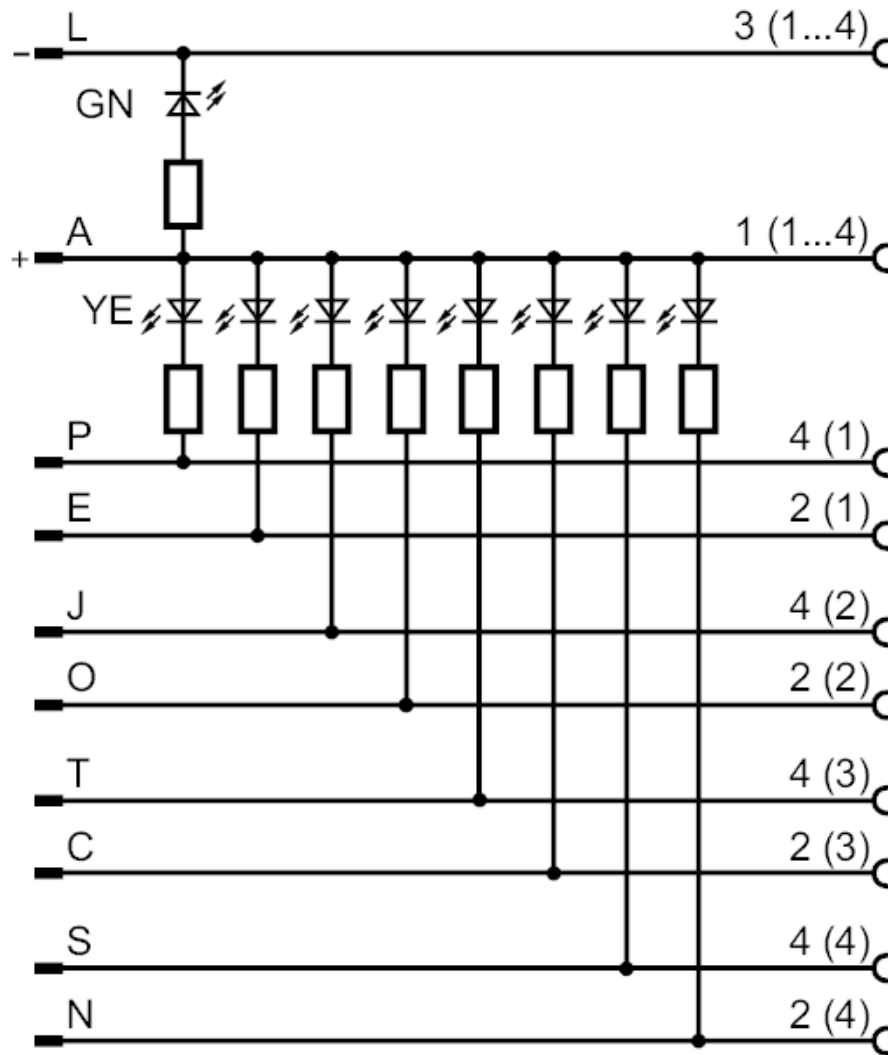
EBC063



Splitter box

ZDO4F049MSJ0000---STGO120MSJ

Connection



Electrical connection - slot

Connector: 4 x M8; Moulded body: PBT-GF 20 / brass, nickel-plated; Contacts: gold-plated

