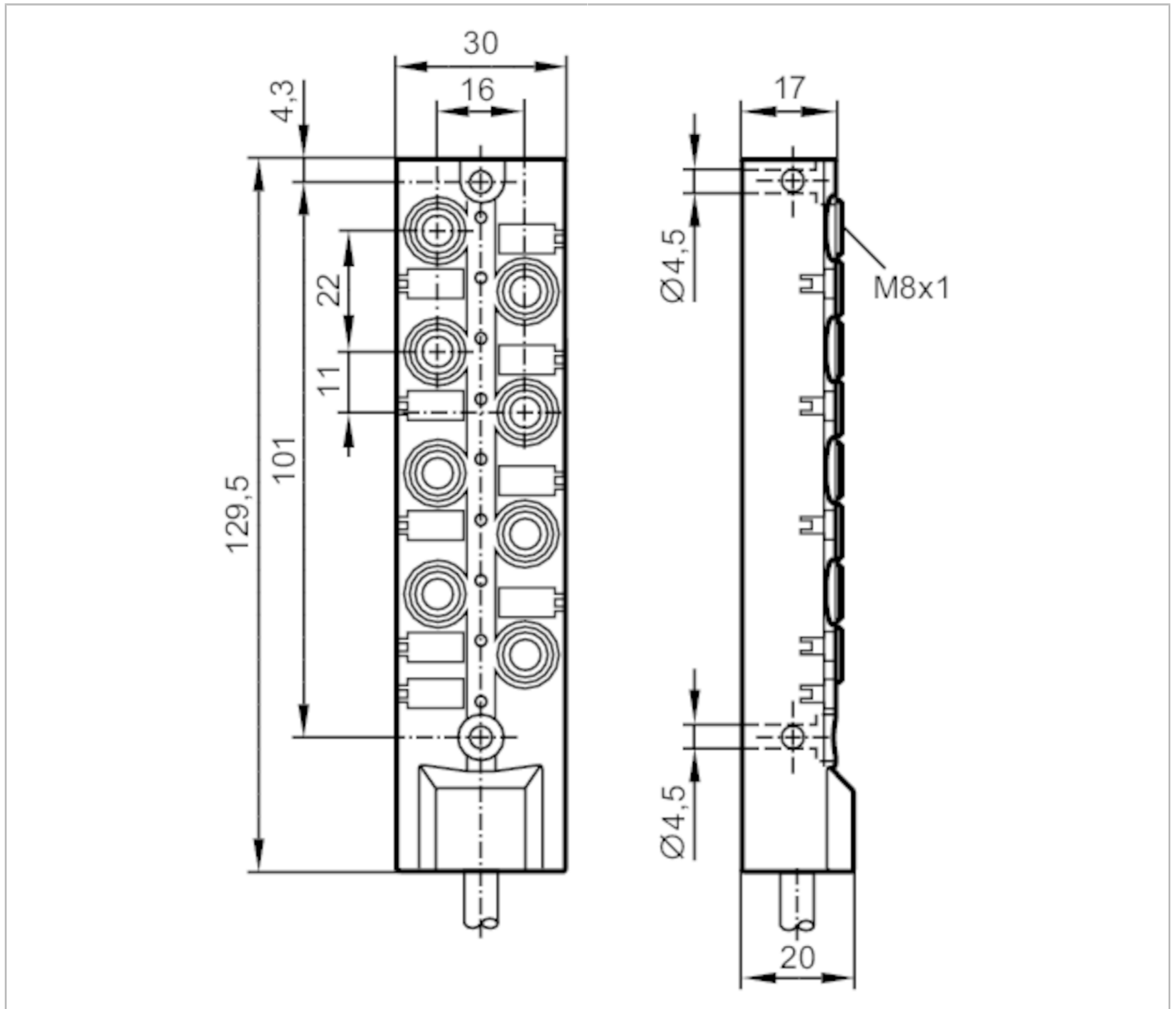


EBC070



Splitter box

ZDO8F039MSS0002H10



CE

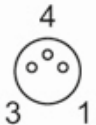
| Application | |
|---------------------------------------|--|
| Special feature | Halogen-free; Gold-plated contacts; Drag chain suitability |
| Electrical data | |
| Operating voltage [V] | 10...30 DC; ("supply class 2" to cULus) |
| Protection class | III |
| Max. current load per module/slot [A] | 2 |
| Max. current load total [A] | 6 |
| Outputs | |
| Electrical design | PNP |

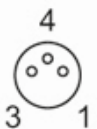
EBC070



Splitter box

ZDO8F039MSS0002H10

| Operating conditions | | |
|---|---------------------------------|--|
| Ambient temperature | [°C] | -25...80 |
| Ambient temperature (moving) | [°C] | -5...60 |
| Protection | | IP 65; IP 67; IP 68 |
| Mechanical data | | |
| Weight | [g] | 282.7 |
| Materials | | PBT-GF20; brass nickel-plated |
| Moulded-body material | | PBT-GF 20 / brass, nickel-plated |
| Number of ports splitter box | | 8 |
| Connector type | | M8 |
| Drag chain suitability | | yes |
| Drag chain suitability | bending radius for flexible use | min. 10 x cable diameter |
| | travel speed | max. 3.3 m/s for a horizontal travel length of 5 m and max. acceleration of 5 m/s ² |
| | bending cycles | > 5 Mio. |
| | torsional strain | ± 180 °/m |
| Displays / operating elements | | |
| Display | switching status | 8 x LED, yellow |
| | operation | 1 x LED, green |
| Accessories | | |
| Accessories (optional) | | DIN rail adapter:, E73007 |
| | | Protective cap: M8, E73005 |
| Remarks | | |
| Pack quantity | | 1 pcs. |
| Electrical connection | | |
| Cable: 2 m, PUR, Halogen-free, black, Ø 7.4 mm; 8 x 0.34 mm ² (43 x Ø 0.1 mm) + 2 x 0.75 mm ² (21 x Ø 0.2 mm) | | |
| Electrical connection - slot | | |
| Connector: 8 x M8; Moulded body: PBT-GF 20 / brass, nickel-plated; Contacts: gold-plated | | |
|  | | |

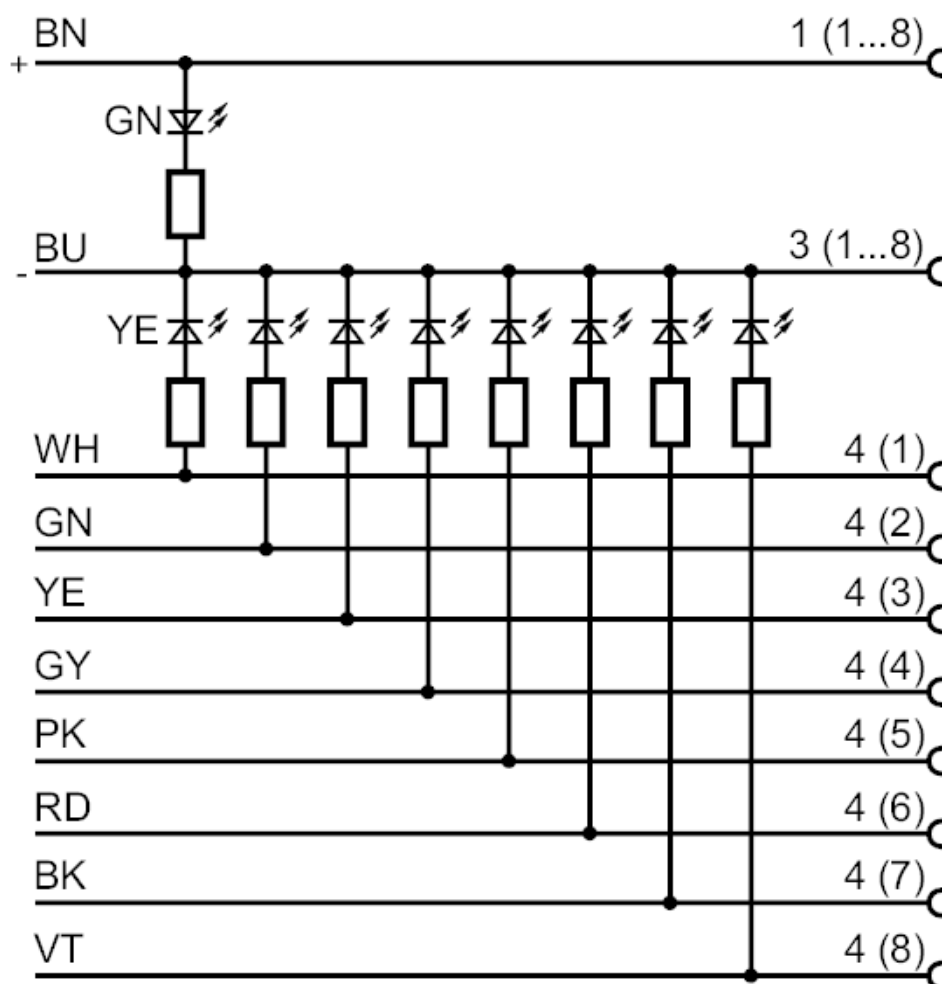




Splitter box

ZDO8F039MSS0002H10

Connection



Core colours :

| | |
|------|--------|
| BK = | black |
| BN = | brown |
| BU = | blue |
| GN = | green |
| GY = | grey |
| PK = | pink |
| RD = | red |
| VT = | lilac |
| WH = | white |
| YE = | yellow |

EBC070

Splitter box

ZDO8F039MSS0002H10

