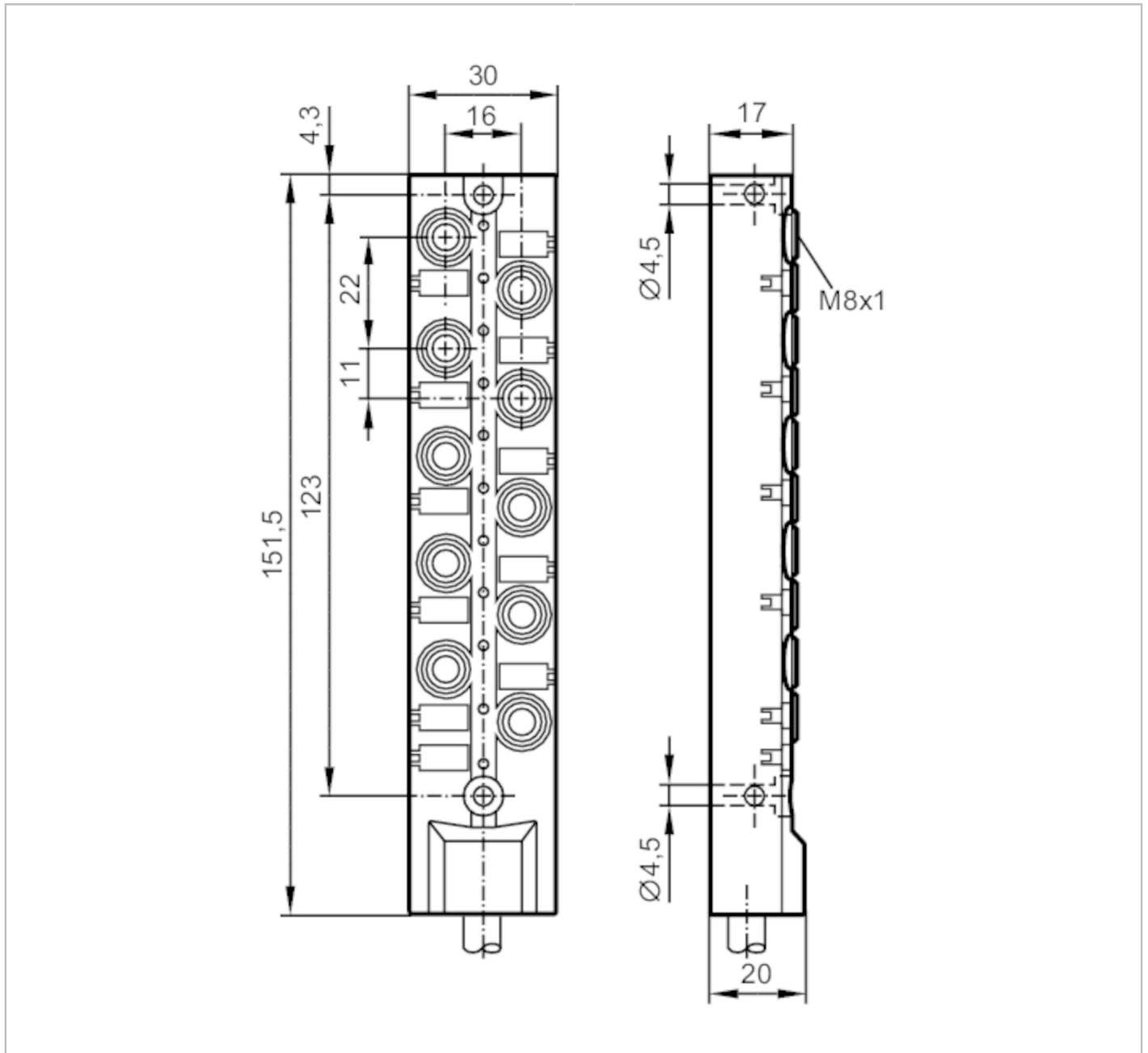


# EBC136



## Splitter box

ZDOAF03BMSS0005H12



### Application

Special feature Halogen-free; Gold-plated contacts; Drag chain suitability

### Electrical data

Operating voltage	[V]	10...30 DC; ("supply class 2" to cULus)
Protection class		III
Max. current load per module/slot	[A]	2
Max. current load total	[A]	6

### Outputs

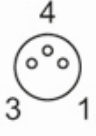
Electrical design PNP

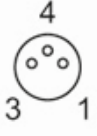
# EBC136



## Splitter box

ZDOAF03BMSS0005H12

Operating conditions		
Ambient temperature	[°C]	-25...80
Ambient temperature (moving)	[°C]	-5...60
Protection		IP 65; IP 67; IP 68
Mechanical data		
Weight	[g]	565.7
Materials		PBT-GF20; brass nickel-plated
Moulded-body material		PBT-GF 20 / brass, nickel-plated
Number of ports splitter box		10
Connector type		M8
Drag chain suitability		yes
Drag chain suitability	bending radius for flexible use	min. 10 x cable diameter
	travel speed	max. 3.3 m/s for a horizontal travel length of 5 m and max. acceleration of 5 m/s <sup>2</sup>
	bending cycles	> 5 Mio.
	torsional strain	± 180 °/m
Displays / operating elements		
Display	switching status	10 x LED, yellow
	operation	1 x LED, green
Accessories		
Accessories (optional)		Protective cap: M8, E73005
Remarks		
Pack quantity		1 pcs.
Electrical connection		
Cable: 5 m, PUR, Halogen-free, black, Ø 9.1 mm; 10 x 0.34 mm <sup>2</sup> (43 x Ø 0.1 mm ) + 2 x 0.75 mm <sup>2</sup> (21 x Ø 0.2 mm )		
Electrical connection - socket		
Connector: 1 x M8; Moulded body: PBT-GF 20 / brass, nickel-plated; Contacts: gold-plated		
		



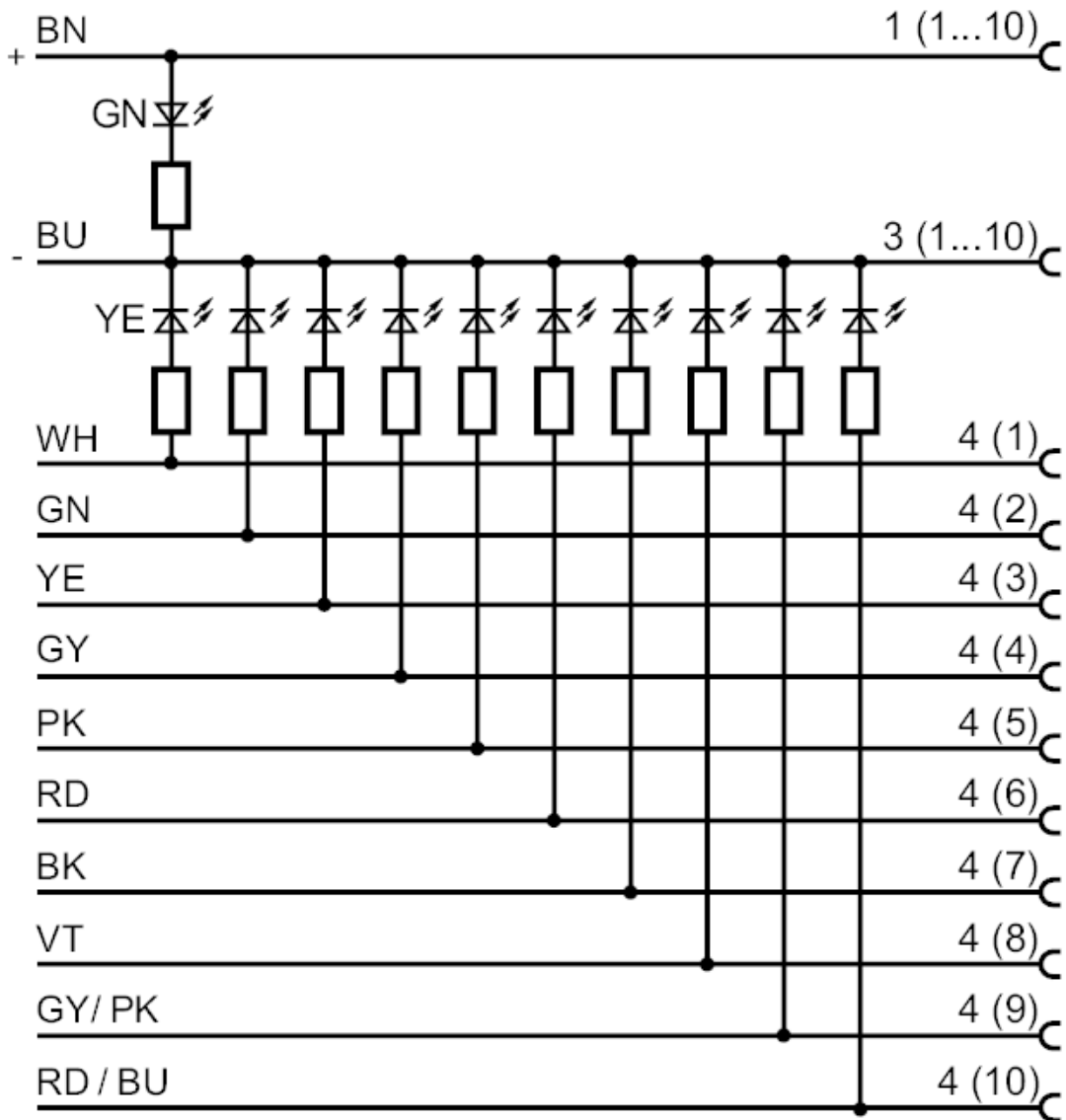
# EBC136



## Splitter box

ZDOAF03BMSS0005H12

### Connection



Core colours :

- BK = black
- BN = brown
- BU = blue
- GN = green
- GY = grey
- PK = pink
- RD = red
- VT = lilac
- WH = white
- YE = yellow

# EBC136

## Splitter box

ZDOAF03BMSS0005H12

