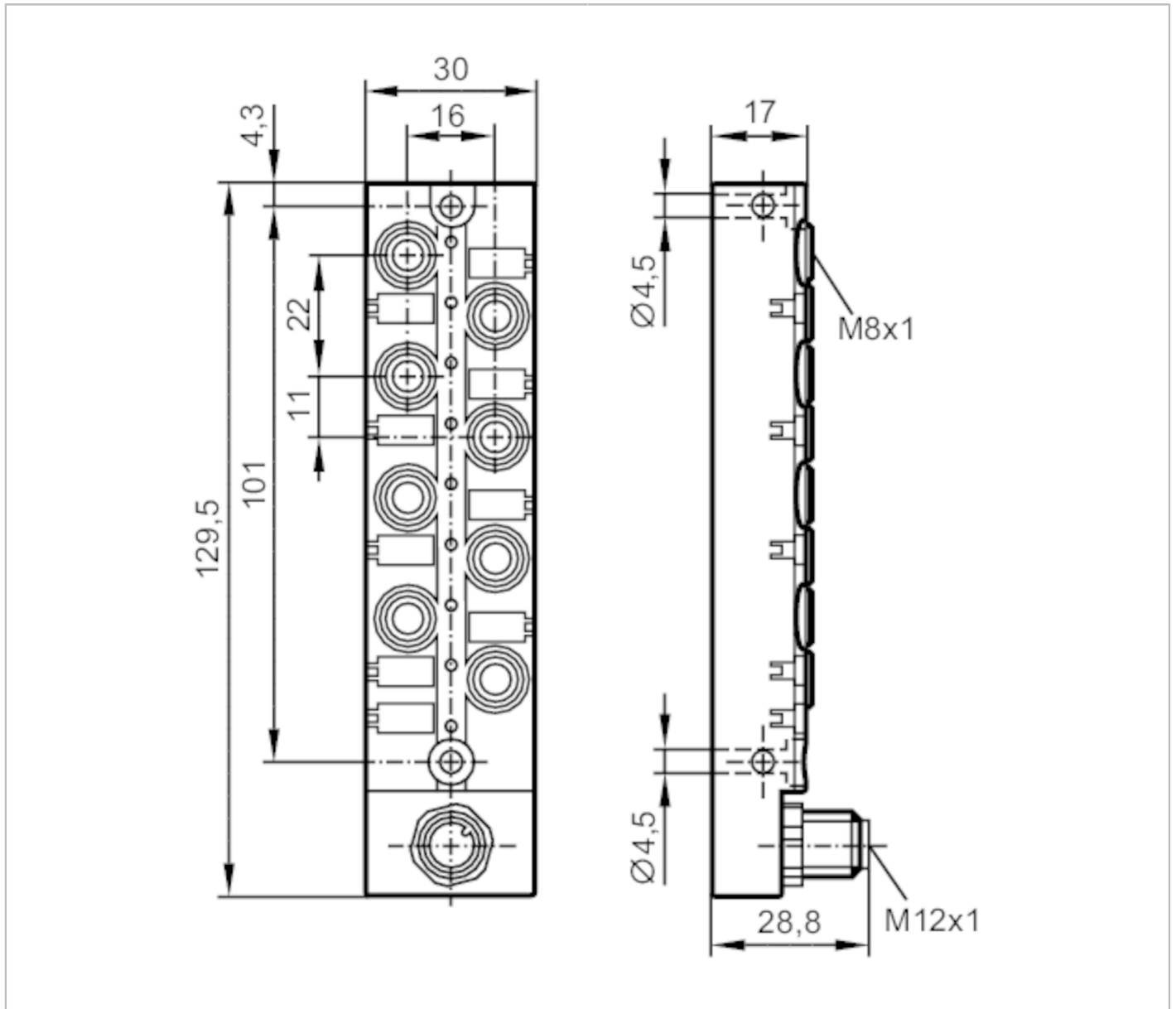


# EBC138



## Splitter box

ZDO8F039MSS0000---STGH120MSS



CE

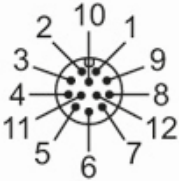
Application	
Special feature	Gold-plated contacts
Electrical data	
Operating voltage	[V] 15...30 DC; ("supply class 2" to cULus)
Protection class	III
Max. current load per module/slot	[A] 2
Max. current load total	[A] 2
Outputs	
Electrical design	PNP

# EBC138



## Splitter box

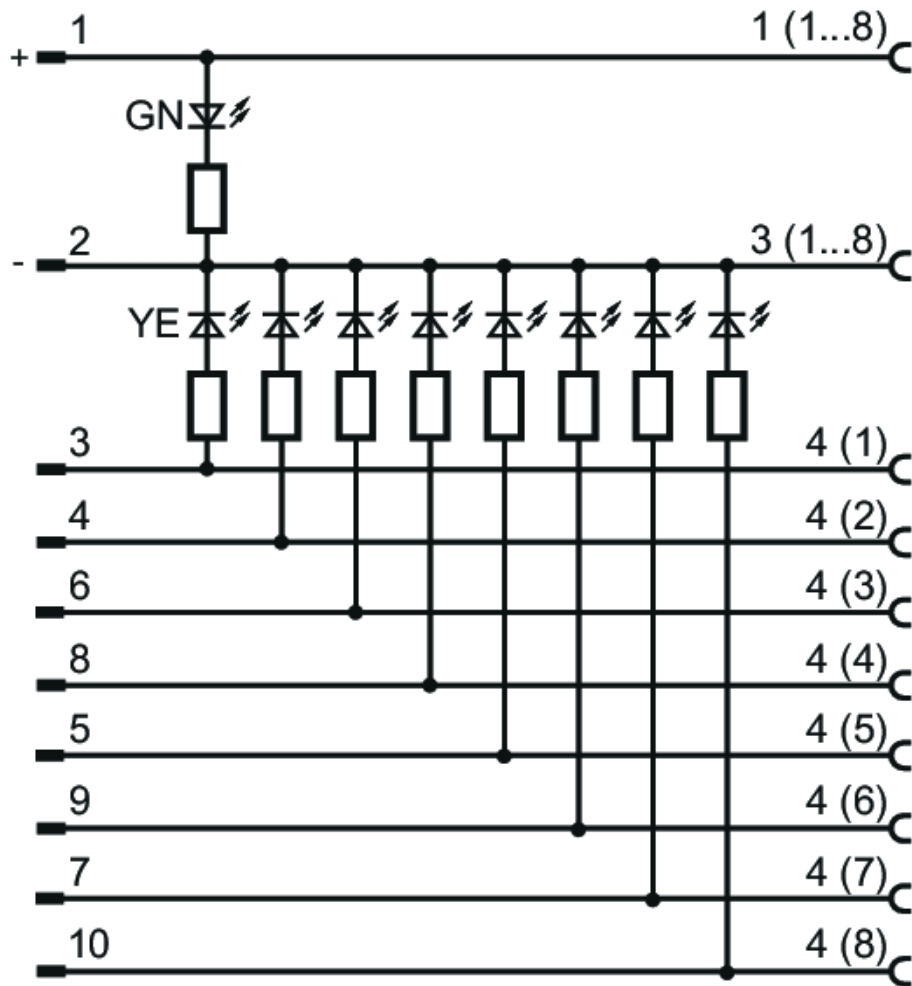
ZDO8F039MSS0000---STGH120MSS

Operating conditions		
Ambient temperature	[°C]	-25...80
Ambient temperature (moving)	[°C]	-5...60
Protection		IP 67; IP 68; (1 m / 7 days)
Mechanical data		
Weight	[g]	128.5
Materials		PBT-GF20; brass nickel-plated
Moulded-body material		PBT-GF 20 / brass, nickel-plated / PBT-GF 20 / brass, nickel-plated
Number of ports splitter box		8
Connector type		M8
Displays / operating elements		
Display	switching status	8 x LED, yellow
	operation	1 x LED, green
Accessories		
Accessories (optional)		Protective cap: M8, E73005
Remarks		
Pack quantity		1 pcs.
Electrical connection - Connection		
Connector: 1 x M12; Moulded body: PBT-GF 20 / brass, nickel-plated; Contacts: gold-plated; Tightening torque: 0.8...1.5 Nm		
		

## Splitter box

ZDO8F039MSS0000---STGH120MSS

### Connection



### Electrical connection - slot

Connector: 8 x M8; Moulded body: PBT-GF 20 / brass, nickel-plated; Contacts: gold-plated; Tightening torque: 0.8...1.5 Nm

