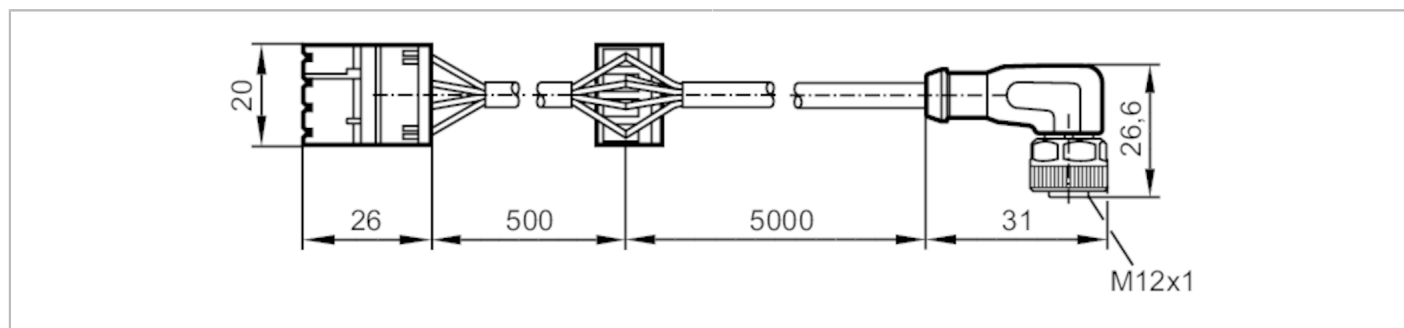


EC0455



Prewired jumper with contact housing

R360/Cable/DisplayModules B



Application	
Design	wired, for BasicController and BasicDisplay, 2 x CR04xx, 1 x CR045x
Application	voltage supply; CAN bus
Operating conditions	
Ambient temperature	[°C] -40...85
Mechanical data	
Weight	[g] 231.7
Remarks	
Remarks	CAN bus terminating resistors (120 ohm) are integrated into the standard timer contact housing and the M12 connector
Pack quantity	1 pcs.

EC0455



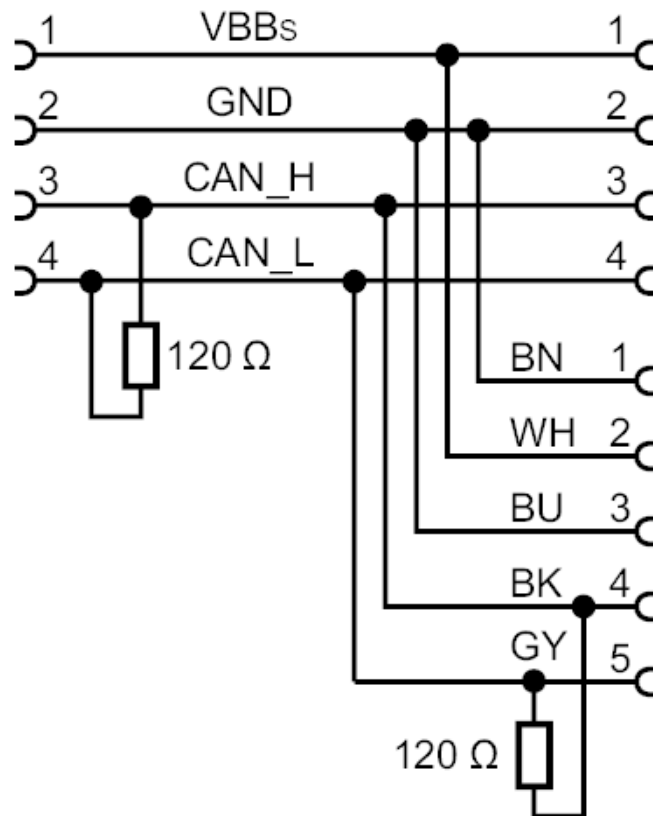
Prewired jumper with contact housing

R360/Cable/DisplayModules B

Electrical connection

Cable: 5 m, black; 5 x 0.34 mm²

Connection



Core colours :

BK =	black
BN =	brown
BU =	blue
GY =	grey
WH =	white

Connector: 1 x M12