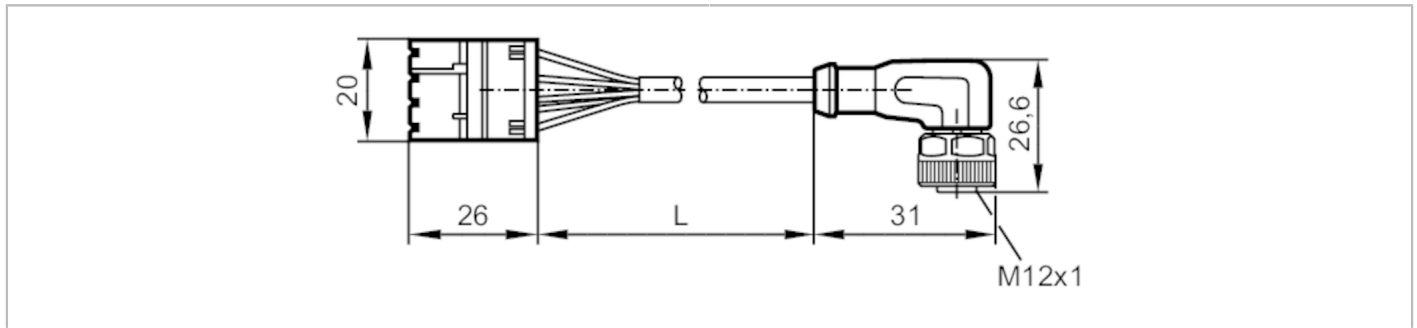


EC0458



Prewired jumper with contact housing

R360/Cable/Display 10m



Application

Design	wired, for BasicController and BasicDisplay, 1 x CR04xx, 1 x CR045x
Application	voltage supply; CAN bus

Operating conditions

Ambient temperature	[°C]	-40...85
---------------------	------	----------

Mechanical data

Weight	[g]	364.5
--------	-----	-------

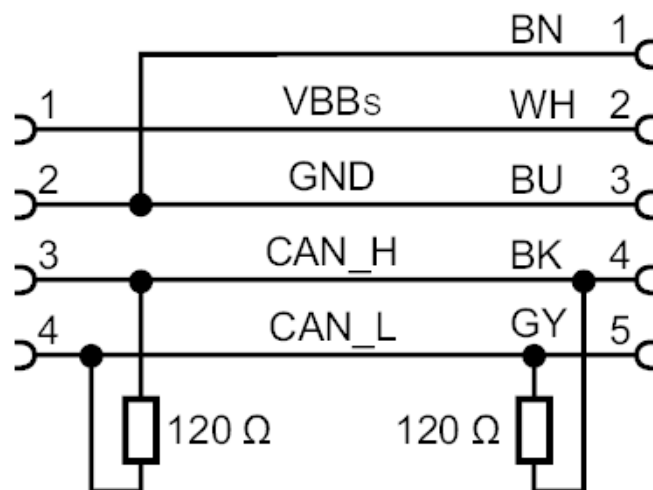
Remarks

Remarks	CAN bus terminating resistors (120 ohm) are integrated into the standard timer contact housing and the M12 connector
Pack quantity	1 pcs.

Electrical connection

Cable: 10 m; 5 x 0.34 mm²

Connection



Core colours :

- BK = black
- BN = brown
- BU = blue
- GY = grey
- WH = white

Connector: 1 x M12