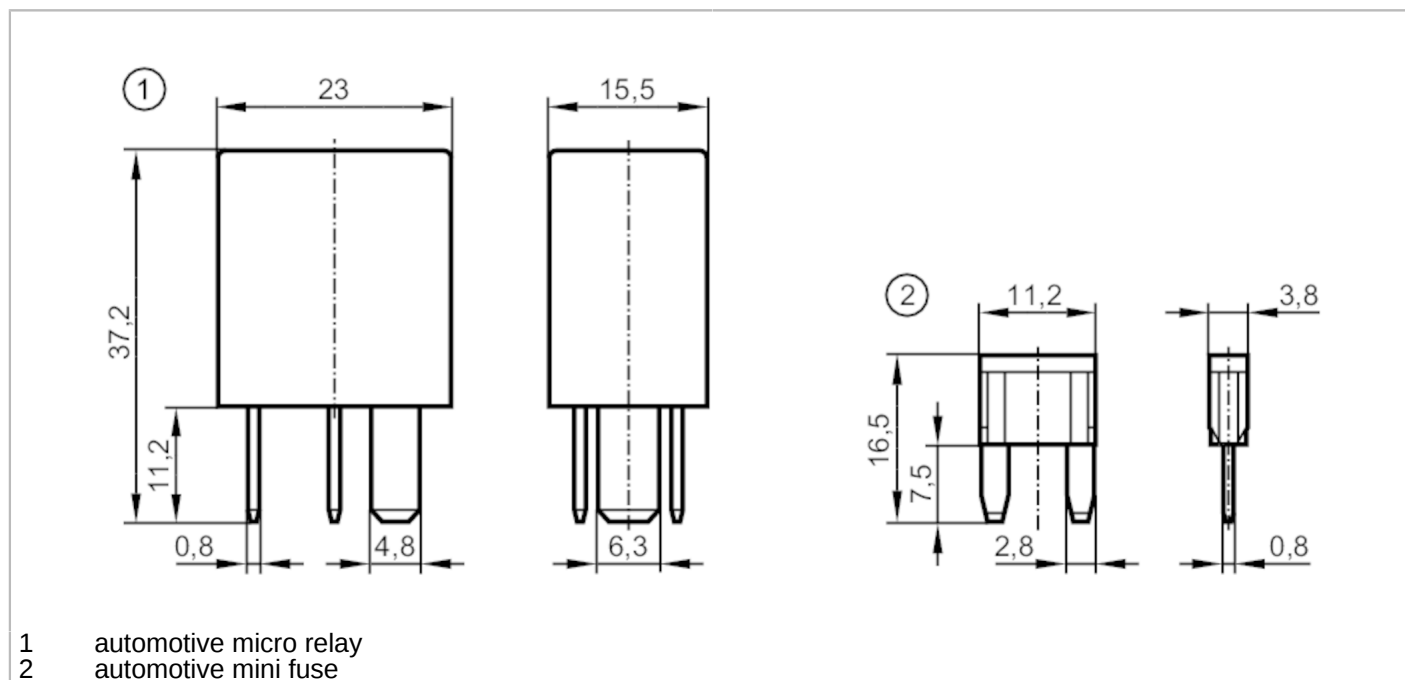


# EC0466



## Set of relays and fuses

R360/Basic/Relay+Fuse/12V



| Application     |   |
|-----------------|---|
| Design          | for BasicController Relay CR0431                          |
| Mechanical data |   |
| Weight          | [g] 113.9   |
| Accessories     |   |
| Items supplied  | automotive micro relay: 6 x 12 V DC, 1 changeover contact |
|                 | automotive mini fuses: 2 x 4 A, pink                      |
|                 | automotive mini fuses: 6 x 30 A, green                    |
|                 | fuse puller   |
| Remarks         |   |
| Pack quantity   | 1 pcs.  |