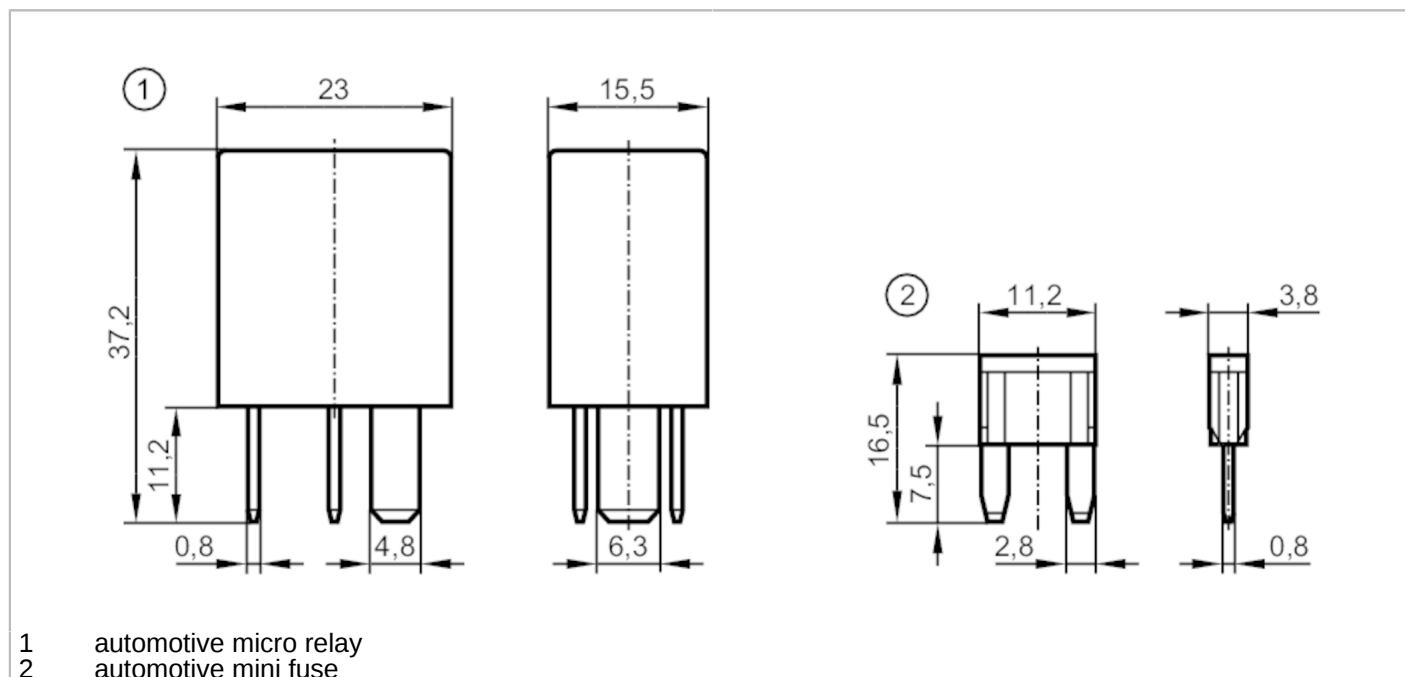


# EC0467



## Set of relays and fuses

R360/Basic/Relay+Fuse/24V



Application	
Design	for BasicController Relay CR0431
Mechanical data	
Weight	[g] 122.8
Accessories	
Items supplied	automotive micro relay: 6 x 24 V DC, 1 changeover contact
	automotive mini fuses: 2 x 4 A, pink
	automotive mini fuses: 6 x 30 A, green
	fuse puller
Remarks	
Pack quantity	1 pcs.