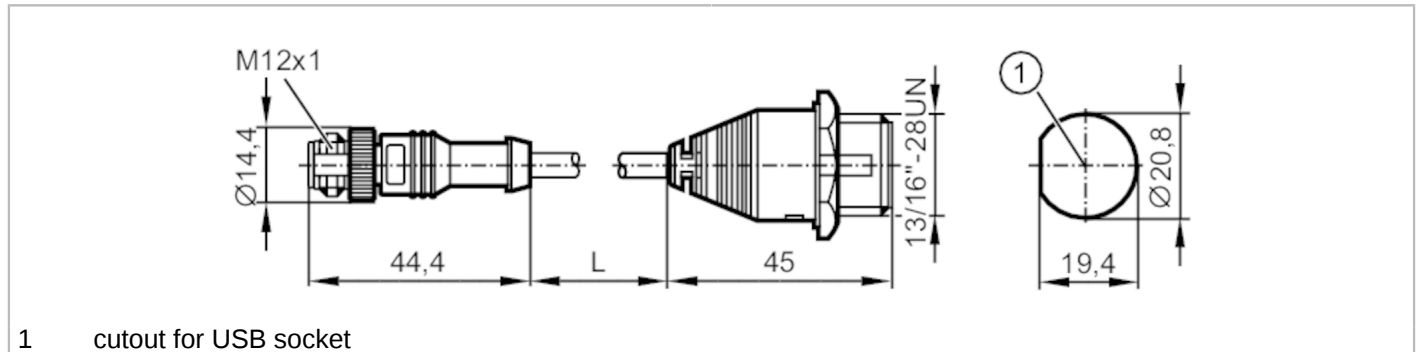


EC2099



USB connection cable

R360/Cable/PDM_NG-USB

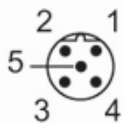


1 cutout for USB socket



Application	
Special feature	Screened cable
Design	for process and dialogue modules PDM360 NG
Application	USB socket for installation in control panel or dashboard
Operating conditions	
Protection	IP 67
Mechanical data	
Weight	[g] 101.7
Accessories	
Items supplied	Protective caps: IP 67, for USB socket
Remarks	
Pack quantity	1 pcs.
Electrical connection - plug	

Connector: 1 x M12



EC2099



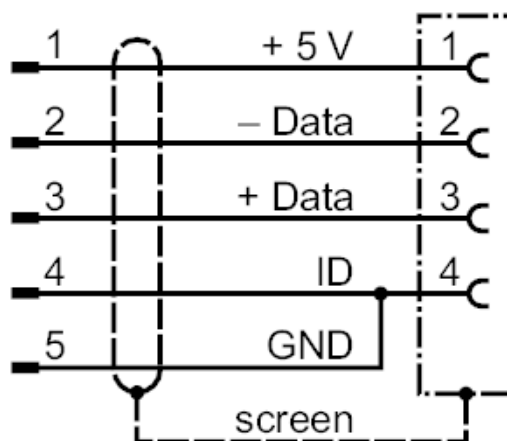
USB connection cable

R360/Cable/PDM_NG-USB

Electrical connection

Cable: 1.5 m, PVC, black, Ø 5 mm, shielded; twisted; 5 x 0.25 mm² / AWG 24

Connection



Electrical connection - socket

Connector: 1 x USB

