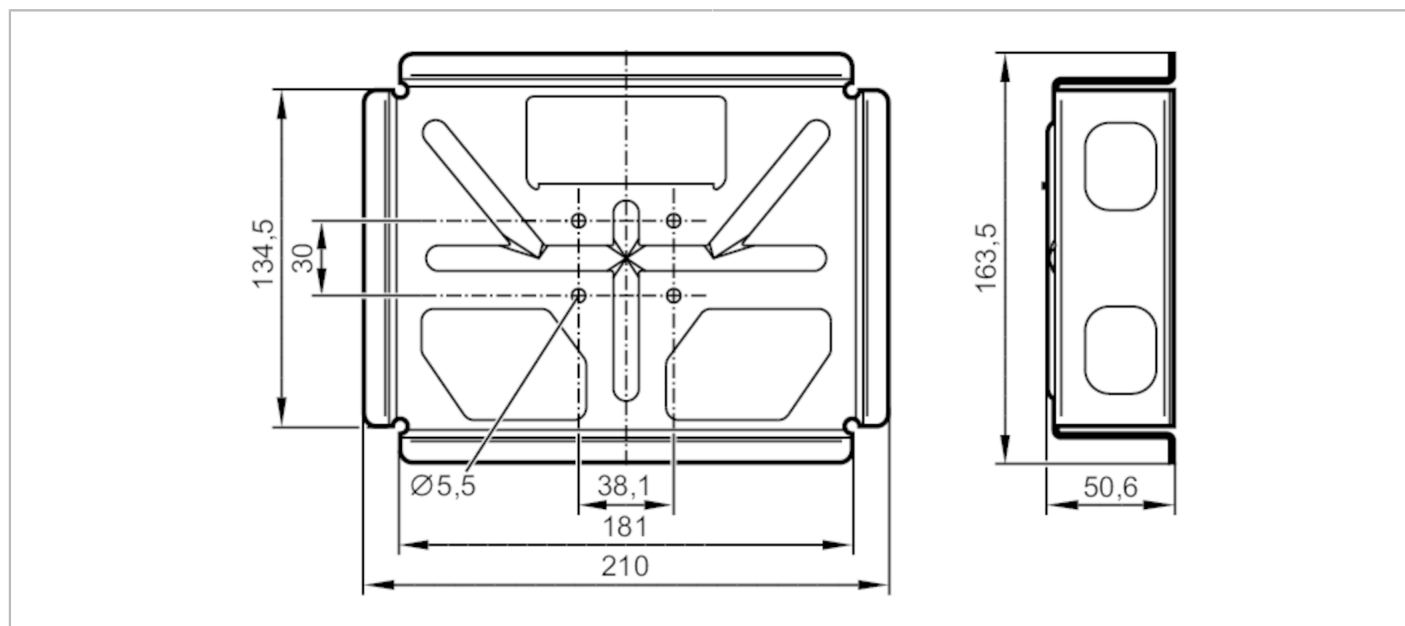


# EC2110



## Mounting frame for graphic displays

R360/PDM\_NG/Mounting Set



Application	
Design	for process and dialogue modules PDM360 NG
Mechanical data	
Weight [g]	702
Type of mounting	installation
Dimensions [mm]	163.5 x 210 x 50.6
Materials	steel sheet
Accessories	
Items supplied	Nuts
	washers
	set screws
	Sealing:, vibration absorption
Remarks	
Pack quantity	1 pcs.