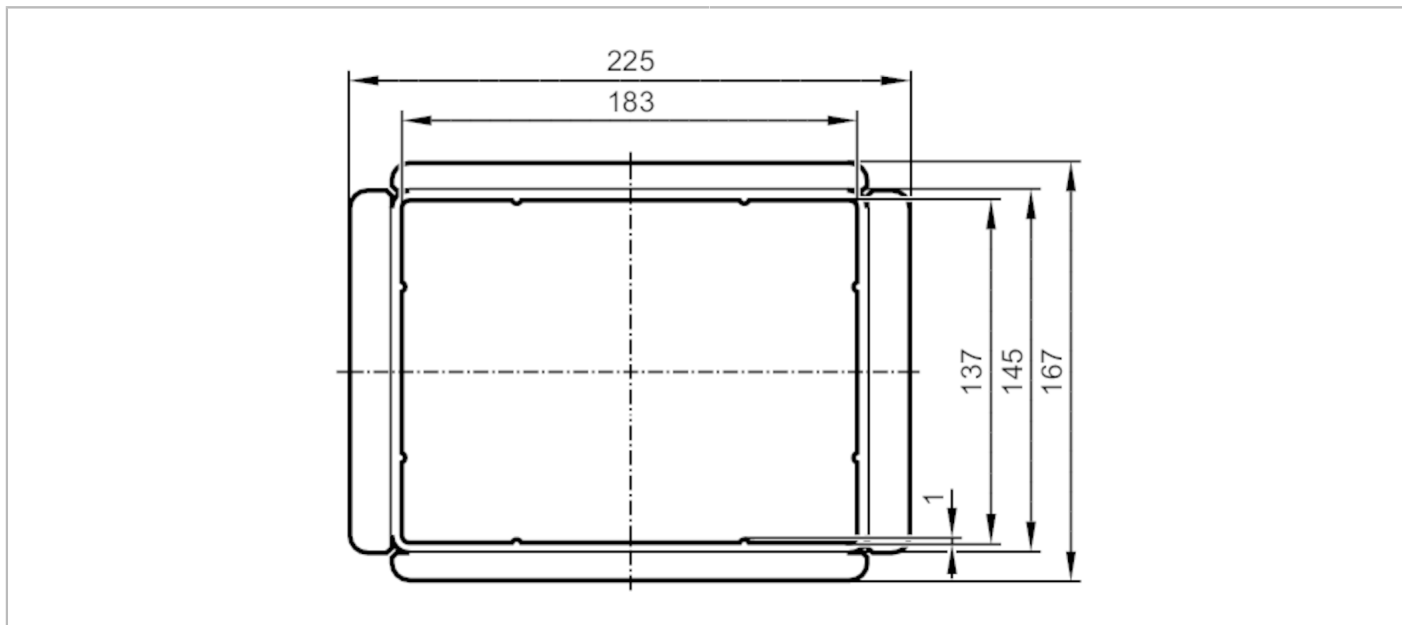


EC2115



Seal for vibration absorption

R360/PDM NG/Sealing Set 5 p



Mechanical data	
Weight [g]	106.4
Type of mounting	installation
Dimensions [mm]	167 x 2 x 225
Materials	TPE black
Remarks	
Pack quantity	5 pcs.