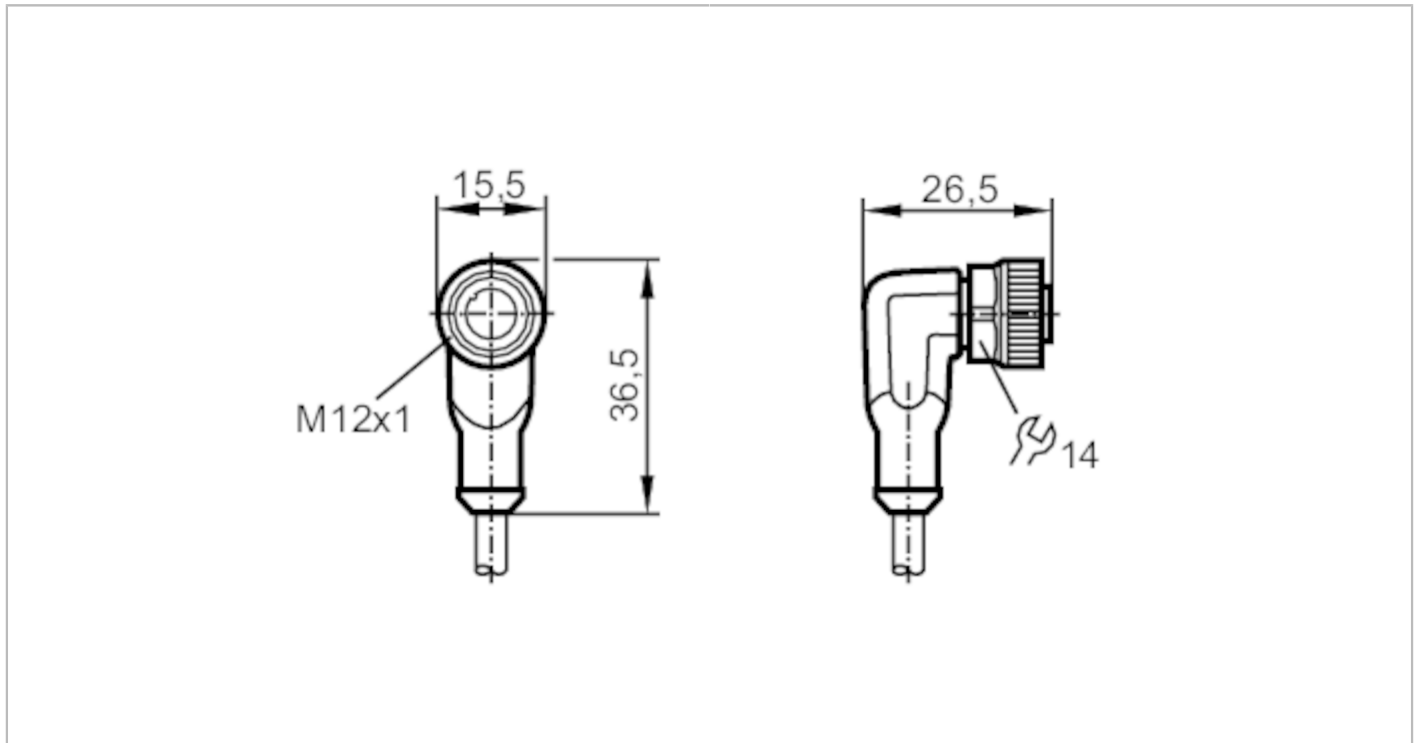


# ENC14A



## Connecting cable with socket

ADOAH050MSN0050H05/1G/1D



| Application                 |   |
|-----------------------------|---|
| Special feature             | Free from silicone; Halogen-free; Gold-plated contacts  |
| Free from silicone          | yes   |
| Compatible with paint       | yes   |
| Electrical data             |   |
| Operating voltage [V]       | < 30 DC   |
| Protection class            | II  |
| Max. input power [mW]       | group II: 1000; group IIIB: 1000; group IIIC: 550<br>(Ta < 90 °C) / 650 (Ta < 70 °C) / 750 (Ta < 40 °C) |
| Max. current load total [A] | 1   |
| Operating conditions        |   |
| Ambient temperature [°C]    | -25...90  |
| Note on ambient temperature | for use in hazardous areas: ambient temperature in accordance with unit marking                         |
| Protection                  | IP 67; (when used outside the hazardous area: IP 68 / IP 69K)   |
| Tests / approvals           |   |
| Approval                    | BVS 11 ATEX E 009 X; IECEx BVS 11.0002 X  |
| ATEX marking                | ⊕ II 1G Ex ia IIB T6 Ga Ta: -25...80°C  |
|                             | ⊕ II 2G Ex ia IIC T6 Gb Ta: -25...80°C  |
|                             | ⊕ II 1D Ex ia IIIC T85°C Da Ta: -25...80°C  |
|                             | ⊕ II 1G Ex ia IIB T5 Ga Ta: -25...90°C  |
|                             | ⊕ II 2G Ex ia IIC T5 Gb Ta: -25...90°C  |
|                             | ⊕ II 1D Ex ia IIIC T95°C Da Ta: -25...90°C  |

# ENC14A



## Connecting cable with socket

ADOAH050MSN0050H05/1G/1D

| Safety classification   |  |
|---|--|
| Max. internal capacitance [nF]  | 5  |
| Max. internal inductance [ $\mu$ H]   | 100  |
| Mechanical data   |  |
| Weight [g]  | 1724   |
| Dimensions [mm]   | 26.5 x 15.5 x 36.5   |
| Materials   | housing: TPU orange; Sealing: FKM  |
| Material nut  | brass, nickel-plated   |
| Remarks   |  |
| Remarks   | Special conditions for safe operation apply for use in hazardous areas.<br>Observe the corresponding notes in the operating instructions (Ex protection related part). |
| Pack quantity   | 1 pcs.   |
| Electrical connection   |  |
| Cable: 50 m, PUR, Halogen-free, blue, $\varnothing$ 4.9 mm; 5 x 0.34 mm <sup>2</sup> (42 x $\varnothing$ 0.1 mm ) |  |
| Electrical connection - socket  |  |
| Connector: 1 x M12, angled; Locking: brass, nickel-plated; Contacts: gold-plated; Tightening torque: 0.6...1.5 Nm |  |

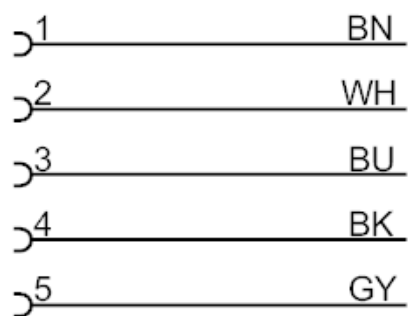
# ENC14A



## Connecting cable with socket

ADOAH050MSN0050H05/1G/1D

### Connection



#### Core colours :

|      |       |
|------|-------|
| BK = | black |
| BN = | brown |
| BU = | blue  |
| GY = | grey  |
| WH = | white |