

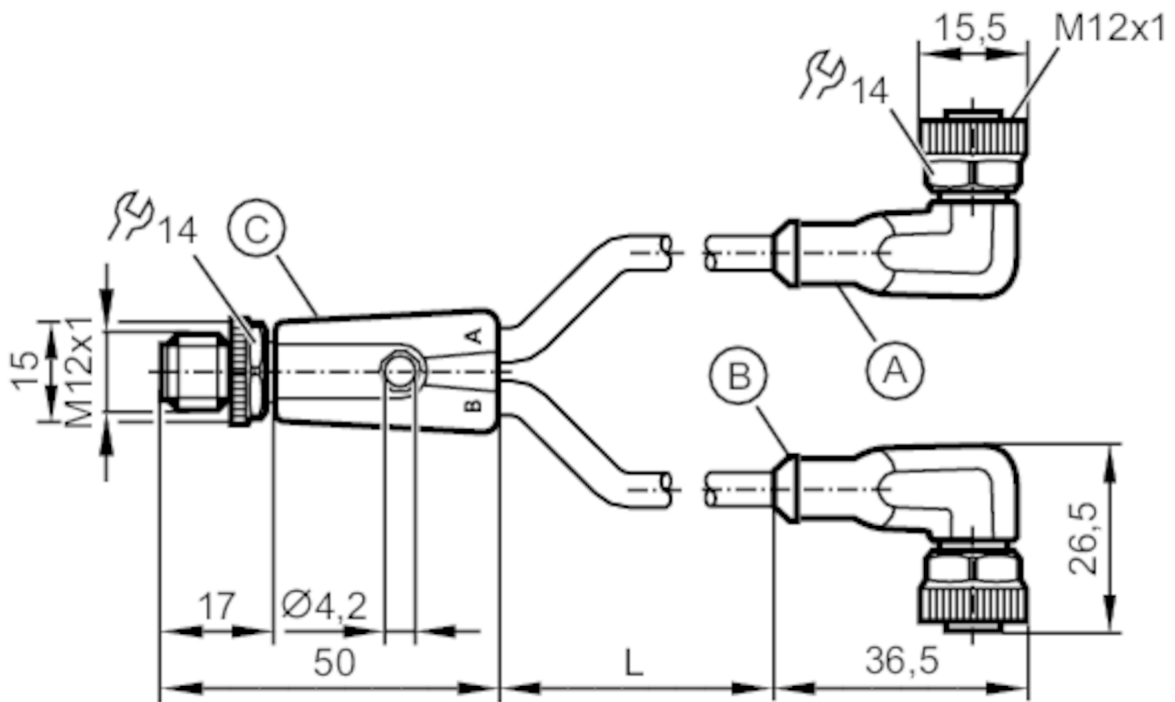
# EVC503



## Y connection cable

YDOAHXX0MSS0,25HXXSTGH050MSS

Please see the technical note under "Downloads"



- A - input cable grey
- C - octavis cable black
- B - octavis cable black



### Application

Special feature	Free from silicone; Halogen-free; Gold-plated contacts; Drag chain suitability
Free from silicone	yes

### Electrical data

Operating voltage	[V]	10...30 DC
Protection class		II
Max. current load total	[A]	3

### Operating conditions

Ambient temperature	[°C]	-25...90
Protection		IP 65; IP 67; IP 68; IP 69K

# EVC503



## Y connection cable

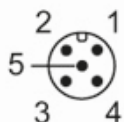
YDOAHXX0MSS0,25HXXSTGH050MSS

Mechanical data		
Weight [g]	64.7	
Moulded-body material	TPU / TPU	
Material nut	brass, nickel-plated / brass, nickel-plated	
Sealing material	FKM	
Number of ports splitter box	2	
Drag chain suitability	yes	
Drag chain suitability	bending radius for flexible use	min. 10 x cable diameter
	travel speed	max. 3.3 m/s for a horizontal travel length of 5 m and max. acceleration of 5 m/s <sup>2</sup>
	bending cycles	> 2 Mio.
	torsional strain	± 180 °/m

Remarks	
Notes	Please see the technical note under "Downloads"
Pack quantity	1 pcs.

**Electrical connection**  
Cable: 0.25 m, PUR, Halogen-free, grey/black, Ø 4.6 mm; 5 x 0.34 mm<sup>2</sup> (42 x Ø 0.1 mm )

**Electrical connection - plug**  
Connector: 1 x M12; Moulded body: TPU, black; Locking: brass, nickel-plated; Contacts: gold-plated; Tightening torque: 0.6...1.5 Nm

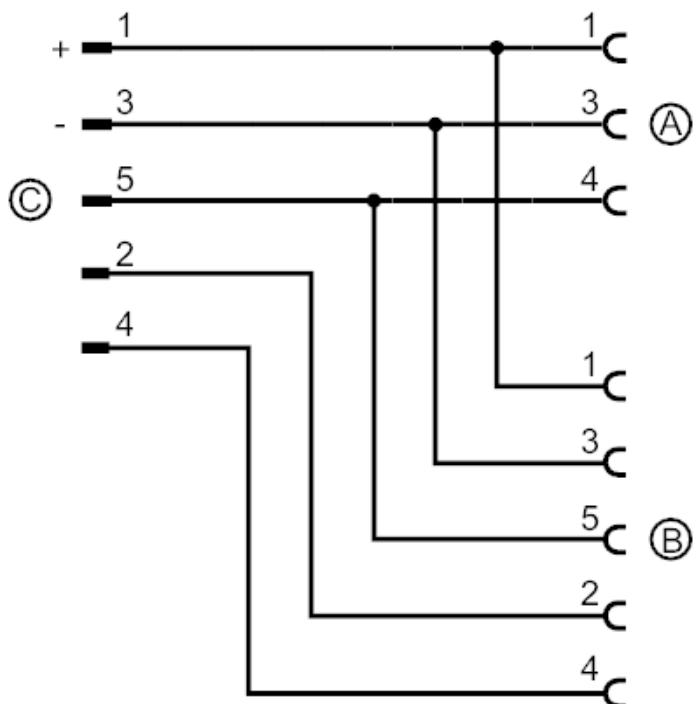




## Y connection cable

YDOAHXX0MSS0,25HXXSTGH050MSS

### Connection



### Electrical connection - socket

Connector: 2 x M12; Moulded body: TPU, black; Locking: brass, nickel-plated; Sealing: FKM; Contacts: gold-plated; Tightening torque: 0.6...1.5 Nm

