



Y connection cable

Multicable 1 x Y-Jumper M12

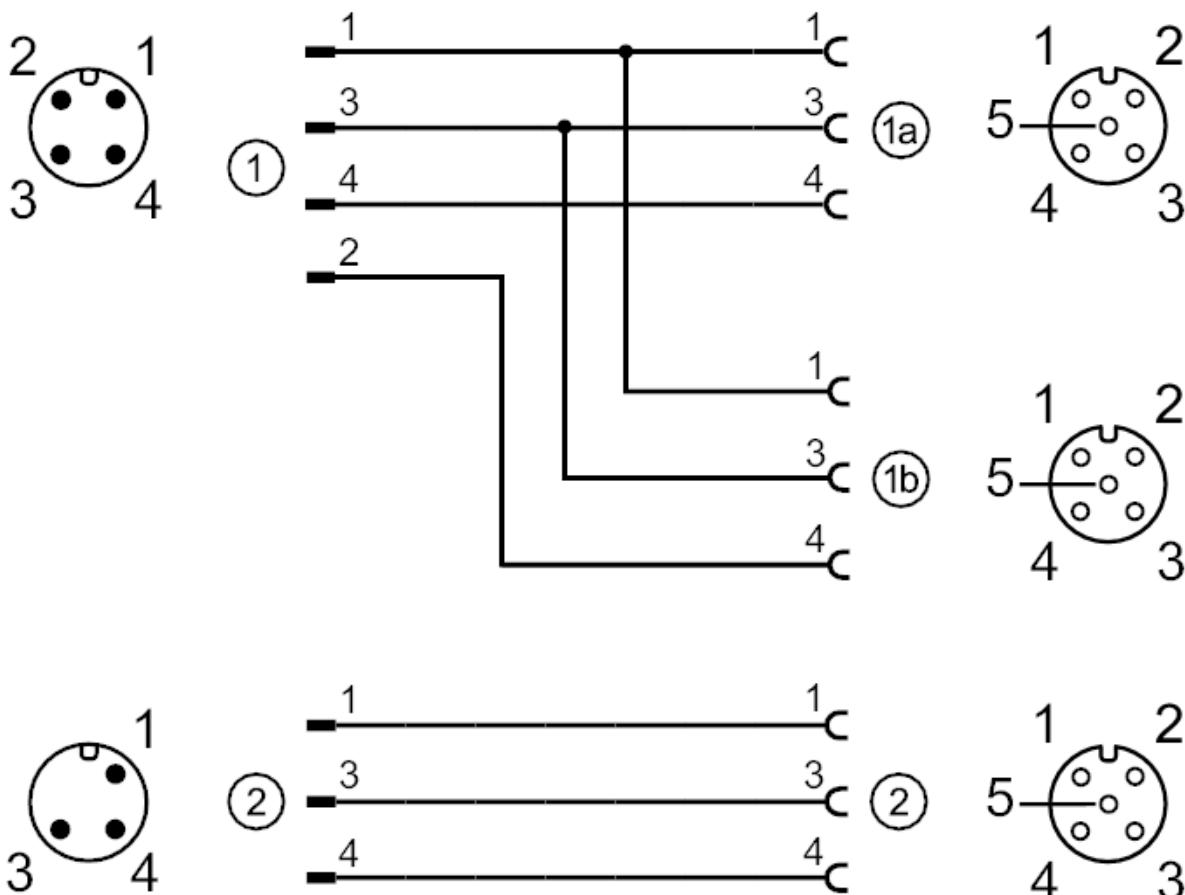
Operating conditions		
Ambient temperature	[°C]	-20...90
Ambient temperature (moving)	[°C]	-20...90
Storage temperature	[°C]	-25...55
Storage humidity	[%]	10...100
Other climatic conditions for storage according to stated class		1K22/ DIN 60721-3-1
Protection		IP 65; IP 67; IP 68; IP 69K

Mechanical data		
Weight	[g]	867
Moulded-body material		TPU / TPU
Sealing material		FKM

Remarks		
Notes		Please see the technical note under "Downloads"
Pack quantity		1 pcs.

Electrical connection
 Cable: 5 m, PUR, Halogen-free, black, Ø 4.3 mm; 3 x 0.34 mm² (42 x Ø 0.1 mm)

Connection





Y connection cable

Multicable 1 x Y-Jumper M12

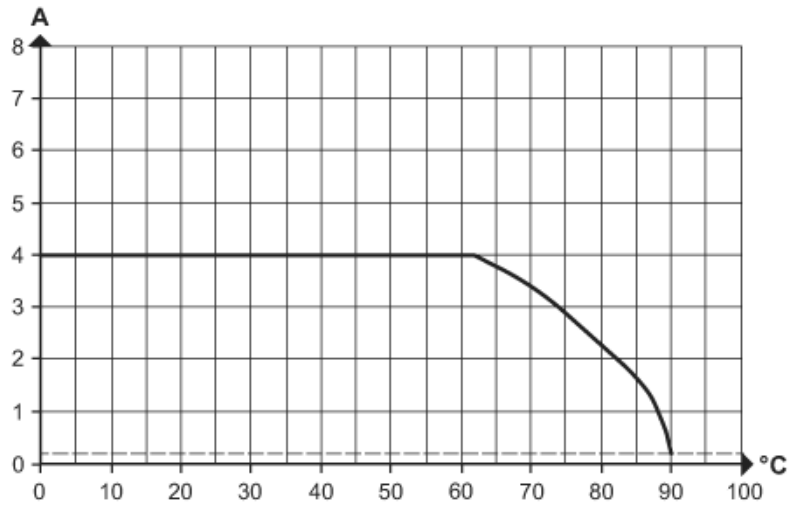
Electrical connection - plug

Connector: M12; Moulded body: TPU, orange

Electrical connection - socket

Connector: M12; Moulded body: TPU, orange; Sealing: FKM

Diagrams and graphs



Derating $I_{max} * 0.8$ DIN EN 60512-5-2

X Ambient temperature [°C]

Y Current [A]