

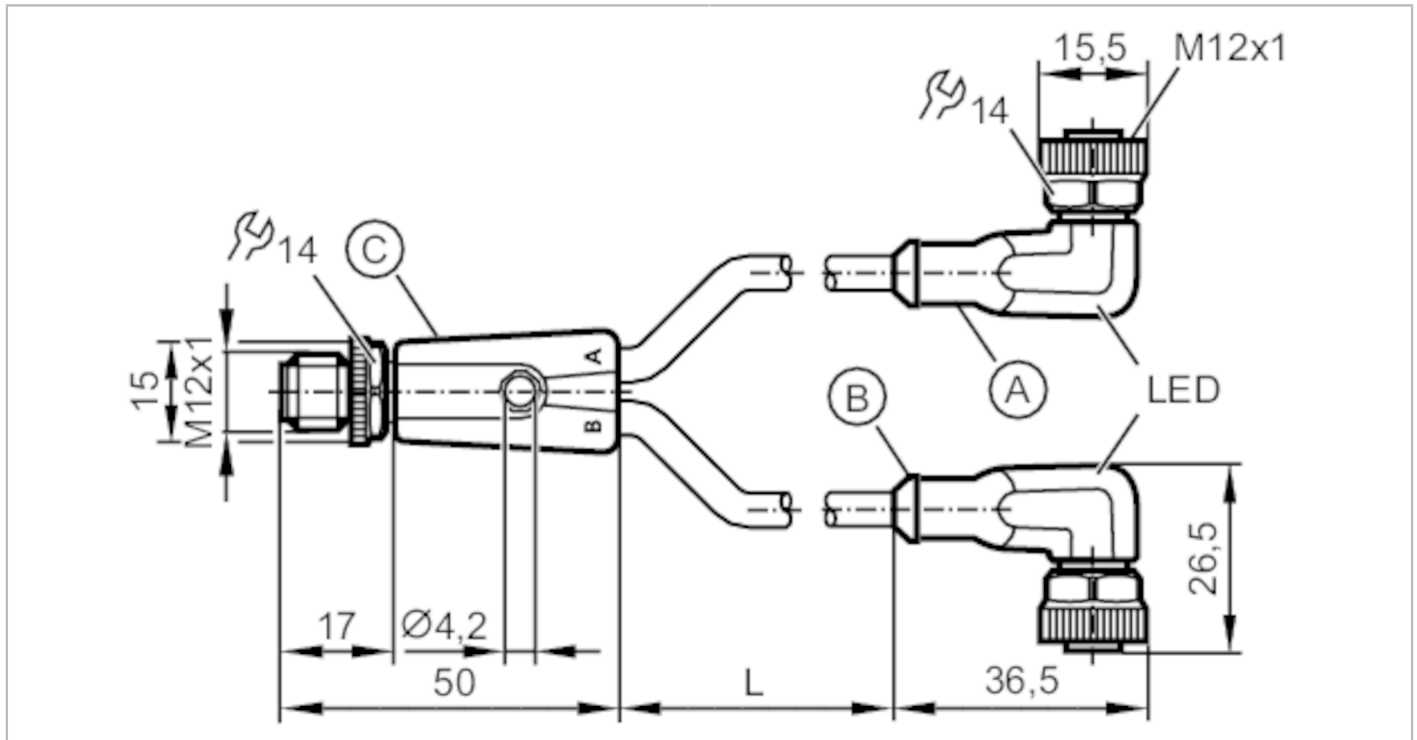
EVC522



Y connection cable

YDOAH032MSS0010H03STGH040MSS

Please see the technical note under "Downloads"



| Application | |
|--------------------------------------|--|
| Special feature | Free from silicone; Halogen-free; Gold-plated contacts; Drag chain suitability |
| Free from silicone | yes |
| Electrical data | |
| Operating voltage [V] | 10...36 DC |
| Protection class | II |
| Max. current load total [A] | 4 |
| Outputs | |
| Electrical design | PNP |
| Operating conditions | |
| Ambient temperature [°C] | -25...90 |
| Note on ambient temperature | cULus: ...75 |
| Ambient temperature (moving) [°C] | -25...90 |
| Note on ambient temperature (moving) | cULus: ...75 |
| Protection | IP 65; IP 67; IP 68; IP 69K |

EVC522



Y connection cable

YDOAH032MSS0010H03STGH040MSS

| Mechanical data | | |
|------------------------------|---|--|
| Weight [g] | 636 | |
| Moulded-body material | TPU / TPU | |
| Material nut | brass, nickel-plated / brass, nickel-plated | |
| Sealing material | FKM | |
| Number of ports splitter box | 2 | |
| Drag chain suitability | yes | |
| Drag chain suitability | bending radius for flexible use | min. 10 x cable diameter |
| | travel speed | max. 3.3 m/s for a horizontal travel length of 5 m and max. acceleration of 5 m/s ² |
| | bending cycles | > 5 Mio. |
| | torsional strain | ± 180 °/m |

| Displays / operating elements | | |
|-------------------------------|------------------|-----------------|
| Display | switching status | 1 x LED, yellow |
| | operation | 1 x LED, green |

| Remarks | |
|---------------|---|
| Notes | Please see the technical note under "Downloads" |
| Pack quantity | 1 pcs. |

Electrical connection
Cable: 10 m, PUR, Halogen-free, black, Ø 4.3 mm; 3 x 0.34 mm² (42 x Ø 0.1 mm)

Electrical connection - plug
Connector: 1 x M12; Moulded body: TPU, orange; Locking: brass, nickel-plated; Contacts: gold-plated; Tightening torque: 0.6...1.5 Nm



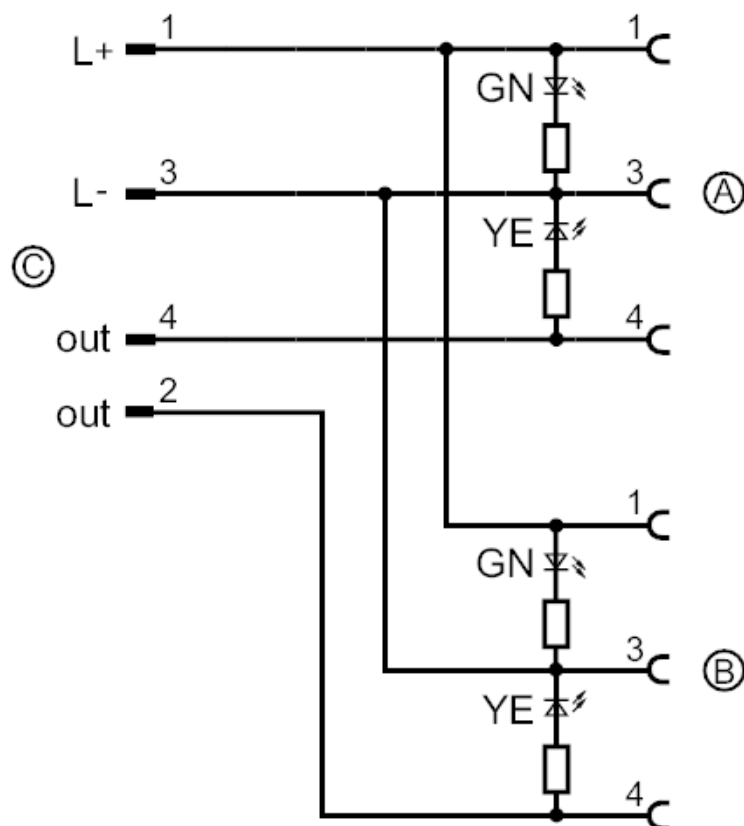


Y connection cable

YDOAH032MSS0010H03STGH040MSS

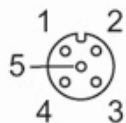
Electrical connection

Connection



Electrical connection - socket

Connector: 2 x M12; Moulded body: TPU, black transparent; Locking: brass, nickel-plated; Sealing: FKM; Contacts: gold-plated; Tightening torque: 0.6...1.5 Nm

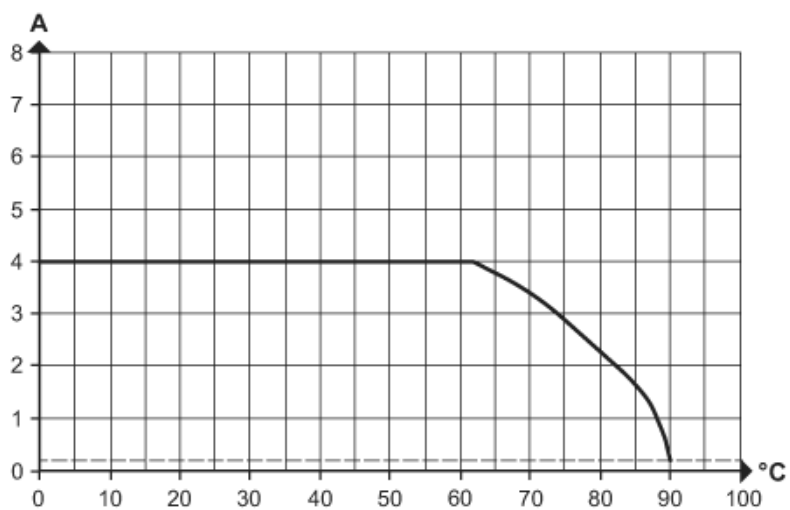




Y connection cable

YDOAH032MSS0010H03STGH040MSS

Diagrams and graphs



Derating $I_{max} * 0.8$ DIN EN 60512-5-2

X Ambient temperature [°C]

Y Current [A]