

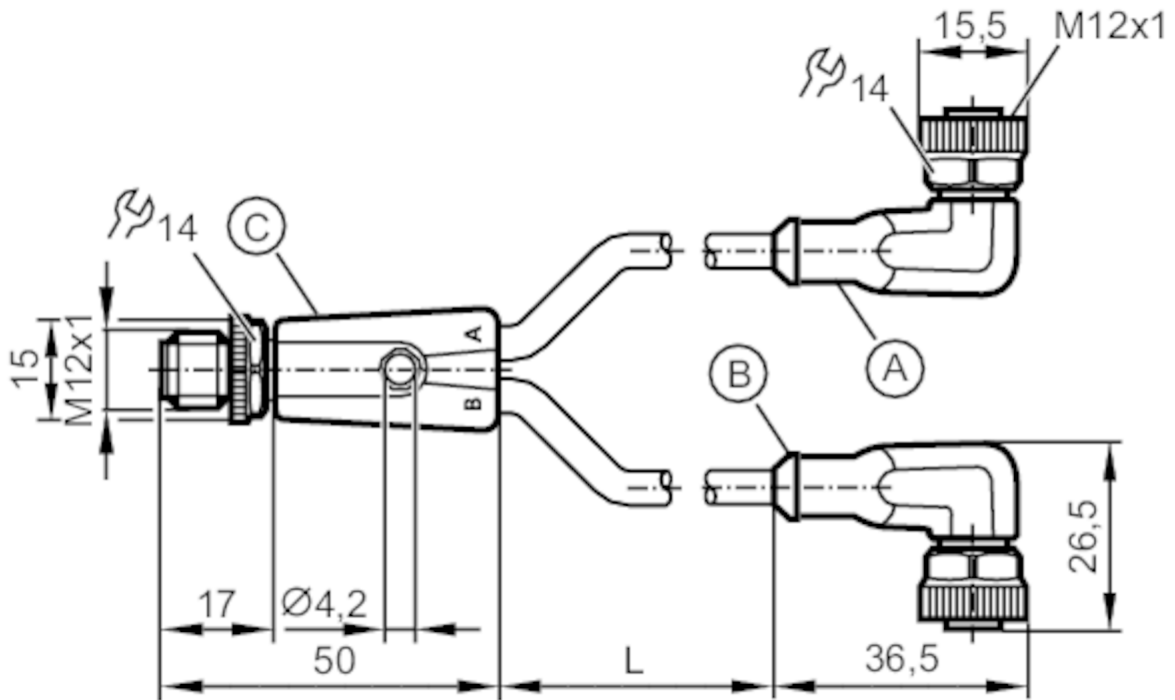
EVC619



Y connection cable

YDOAH040MSS0003H04STGH040MSS

Please see the technical note under "Downloads"



- A - input cable grey
- C: octavis cable black



Application

| | |
|--------------------|--|
| Special feature | Free from silicone; Halogen-free; Gold-plated contacts; Drag chain suitability |
| Free from silicone | yes |

Electrical data

| | | |
|-------------------------|-----|------------|
| Operating voltage | [V] | < 60 AC/DC |
| Protection class | | II |
| Max. current load total | [A] | 4 |

Operating conditions

| | | |
|---|------|-----------------------------|
| Ambient temperature | [°C] | -25...90 |
| Note on ambient temperature | | cULus: ...75 |
| Ambient temperature (moving) | [°C] | -25...90 |
| Note on ambient temperature (moving) | | cULus: ...75 |
| Storage temperature | [°C] | -25...55 |
| Storage humidity | [%] | 10...100 |
| Other climatic conditions for storage according to stated class | | 1K22/ DIN 60721-3-1 |
| Protection | | IP 65; IP 67; IP 68; IP 69K |

EVC619



Y connection cable

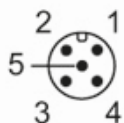
YDOAH040MSS0003H04STGH040MSS

| Mechanical data | | |
|------------------------------|---|--|
| Weight [g] | 214 | |
| Moulded-body material | TPU / TPU | |
| Material nut | brass, nickel-plated / brass, nickel-plated | |
| Sealing material | FKM | |
| Number of ports splitter box | 2 | |
| Drag chain suitability | yes | |
| Drag chain suitability | bending radius for flexible use | min. 10 x cable diameter |
| | travel speed | max. 3.3 m/s for a horizontal travel length of 5 m and max. acceleration of 5 m/s ² |
| | bending cycles | > 5 Mio. |
| | torsional strain | ± 180 °/m |

| Remarks | |
|---------------|---|
| Notes | Please see the technical note under "Downloads" |
| Pack quantity | 1 pcs. |

Electrical connection
Cable: 3 m, PUR, Halogen-free, black, Ø 4.3 mm; 4 x 0.34 mm² (42 x Ø 0.1 mm)

Electrical connection - plug
Connector: 1 x M12; Moulded body: TPU, orange; Locking: brass, nickel-plated; Contacts: gold-plated; Tightening torque: 0.6...1.5 Nm



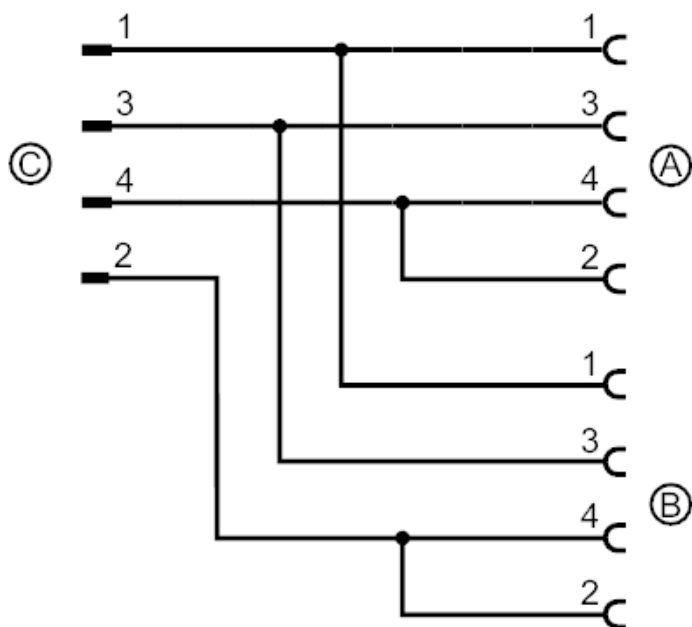
EVC619



Y connection cable

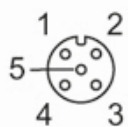
YDOAH040MSS0003H04STGH040MSS

Connection



Electrical connection - socket

Connector: 2 x M12; Moulded body: TPU, orange; Locking: brass, nickel-plated; Sealing: FKM; Contacts: gold-plated; Tightening torque: 0.6...1.5 Nm



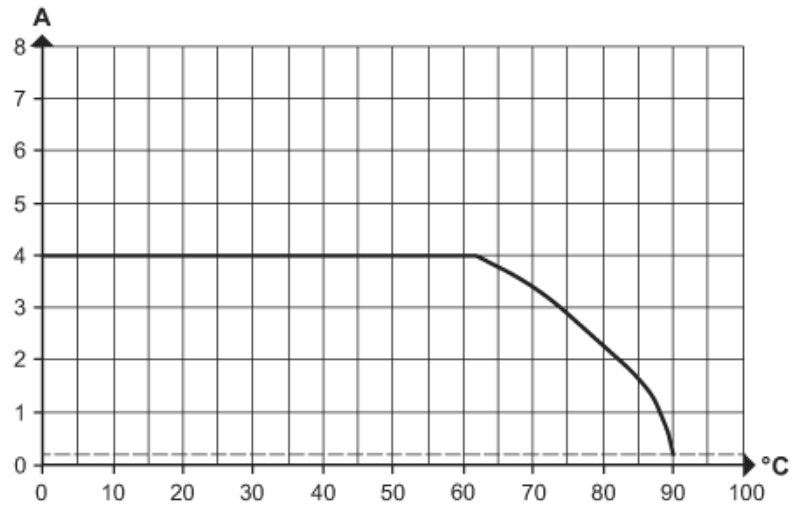
EVC619



Y connection cable

YDOAH040MSS0003H04STGH040MSS

Diagrams and graphs



Derating $I_{max} * 0.8$ DIN EN 60512-5-2

X Ambient temperature [°C]

Y Current [A]