

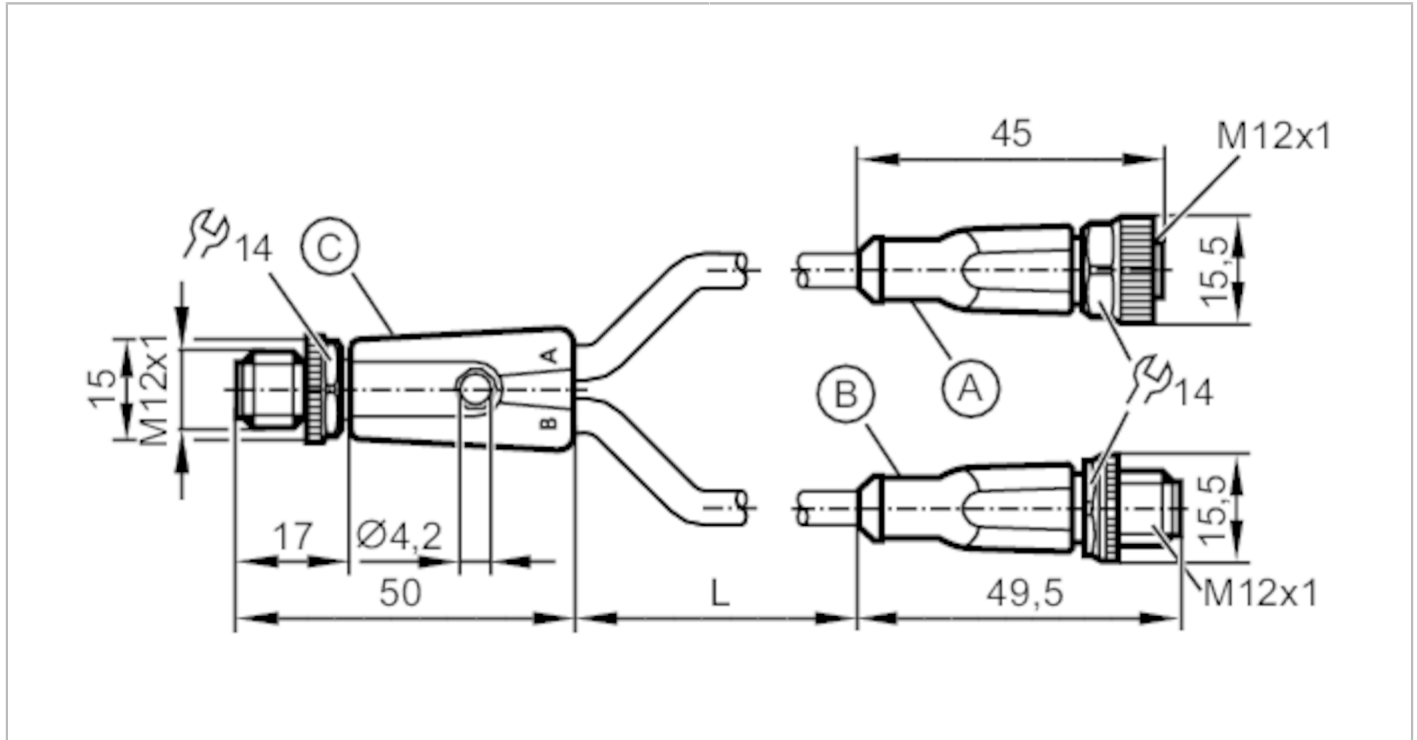
EVC696



Y connection cable

YDSGHDA0MSS0010HDASTGH030MSS

Please see the technical note under "Downloads"



| Application | | |
|-----------------------------|--|--|
| Special feature | Free from silicone; Halogen-free; Gold-plated contacts; Drag chain suitability | |
| Free from silicone | yes | |
| Electrical data | | |
| Operating voltage [V] | < 24 DC | |
| Protection class | III | |
| Max. current load total [A] | 4 | |
| Operating conditions | | |
| Ambient temperature [°C] | -25...90 | |
| Protection | IP 65; IP 67; IP 68; IP 69K | |
| Mechanical data | | |
| Weight [g] | 658.5 | |
| Moulded-body material | TPU, Halogen-free / TPU, Halogen-free / TPU, Halogen-free | |
| Material nut | brass, nickel-plated / brass, nickel-plated / brass, nickel-plated | |
| Sealing material | FKM | |
| Connector type | M12 | |
| Drag chain suitability | yes | |
| Drag chain suitability | bending radius for flexible use | min. 10 x cable diameter |
| | travel speed | max. 3.3 m/s for a horizontal travel length of 5 m and max. acceleration of 5 m/s ² |
| | bending cycles | > 5 Mio. |
| | torsional strain | ± 180 °/m |

EVC696



Y connection cable

YDSGHDA0MSS0010HDASTGH030MSS

Remarks

| | |
|---------------|---|
| Notes | Please see the technical note under "Downloads" |
| Pack quantity | 1 pcs. |

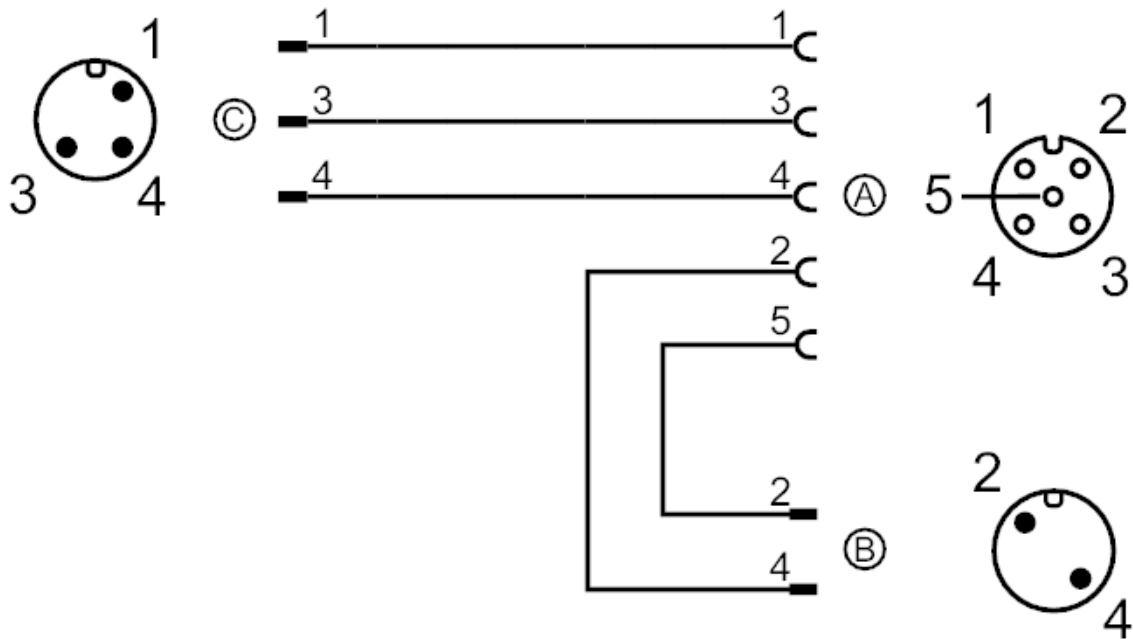
Electrical connection - plug C

Connector: M12; Moulded body: TPU, Halogen-free, orange; Locking: Lock nut, brass, nickel-plated; Contacts: gold-plated; Tightening torque: 0.6...1.5 Nm; Take into account the maximum value of the counterpart!



Electrical connection

Connection



Electrical connection - socket A

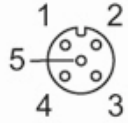
Cable: 10 m, PUR, Halogen-free, black, Ø 4.9 mm; 5 x 0.34 mm² (42 x Ø 0.1 mm)

Connector: M12; Moulded body: TPU, Halogen-free, orange; Locking: Lock nut, brass, nickel-plated; Sealing: FKM; Contacts: gold-plated; Tightening torque: 0.6...1.5 Nm; Take into account the maximum value of the counterpart!



Y connection cable

YDSGHDA0MSS0010HDASTGH030MSS



Electrical connection - plug B

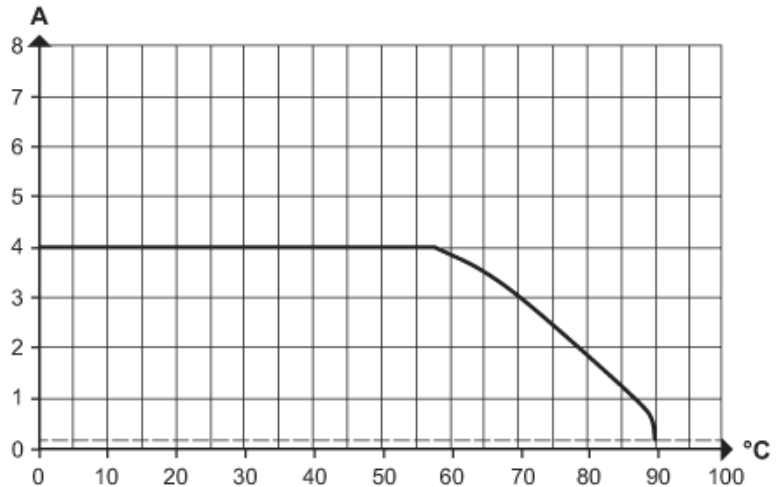
Cable: 10 m, PUR, Halogen-free, black, Ø 4.9 mm; 2 x 0.34 mm² (42 x Ø 0.1 mm)

Connector: M12; Moulded body: TPU, Halogen-free, orange; Locking: Lock nut, brass, nickel-plated; Contacts: gold-plated;

Tightening torque: 0.6...1.5 Nm; Take into account the maximum value of the counterpart!



Diagrams and graphs



Derating $I_{max} * 0.8$ DIN EN 60512-5-2

X Ambient temperature [°C]

Y Current [A]