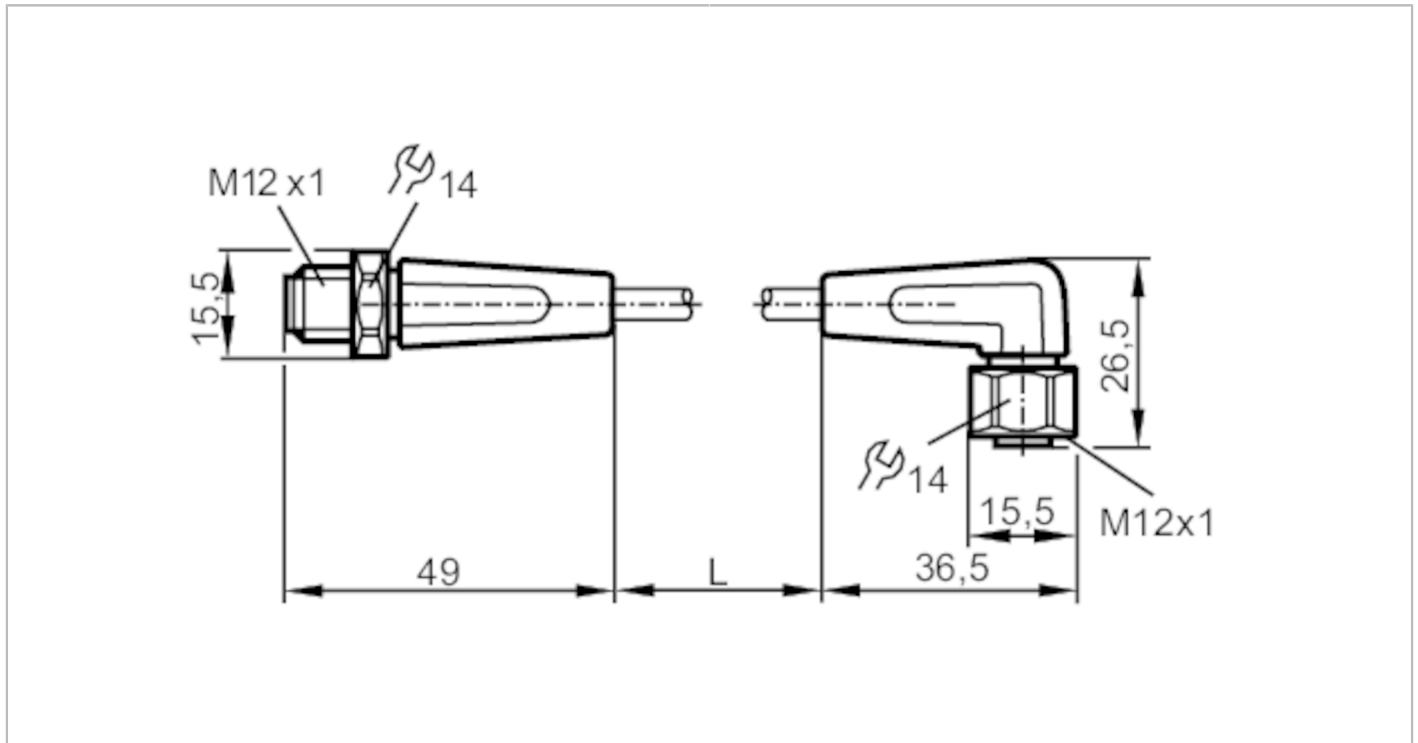


# EVF050



## Connection cable

VDOAH040VAS0005P04STGH040VAS



| Application   |  |
|---|--|
| Special feature   | Free from silicone; Halogen-free; Gold-plated contacts; Drag chain suitability |
| Application   | hygienic and wet areas in the food industry                                    |
| Free from silicone  | yes  |
| Electrical data   |  |
| Operating voltage [V]   | < 250 AC / < 300 DC  |
| Protection class  | II   |
| Max. current load total [A]                                     | 4  |
| Operating conditions  |  |
| Ambient temperature [°C]  | -25...100  |
| Note on ambient temperature                                     | cULus: ...65 °C  |
| Ambient temperature (moving) [°C]                               | 0...100  |
| Note on ambient temperature (moving)                            | cULus: ...65 °C  |
| Storage temperature [°C]  | -25...55   |
| Storage humidity [%]  | 10...100   |
| Other climatic conditions for storage according to stated class | 1K22/ DIN 60721-3-1  |
| Protection  | IP 65; IP 67; IP 68; IP 69K  |

# EVF050



## Connection cable

VDOAH040VAS0005P04STGH040VAS

| Mechanical data        |   |  |
|------------------------|---|--|
| Weight [g]             | 177.2   |  |
| Materials              | PP Halogen-free; Sealing: EPDM                                    |  |
| Moulded-body material  | PP, Halogen-free / PP, Halogen-free                               |  |
| Material nut           | stainless steel (1.4404 / 316L) / stainless steel (1.4404 / 316L) |  |
| Drag chain suitability | yes   |  |
| Drag chain suitability | bending radius for flexible use                                   | min. 10 x cable diameter   |
|                        | travel speed  | max. 3.3 m/s for a horizontal travel length of 5 m and max. acceleration of 5 m/s <sup>2</sup> |
|                        | bending cycles  | > 1 Mio.   |
|                        | torsional strain  | ± 180 °/m  |

## Remarks

|               |        |
|---------------|--------|
| Pack quantity | 1 pcs. |
|---------------|--------|

## Electrical connection - plug

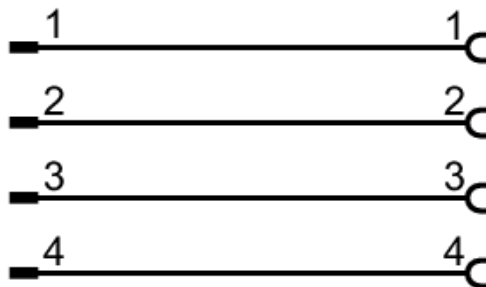
Connector: 1 x M12, straight; Moulded body: PP, Halogen-free; Locking: stainless steel (1.4404 / 316L); Contacts: gold-plated; Tightening torque: 0.6...1.2 Nm



## Electrical connection

Cable: 5 m, MPPE, Halogen-free, grey, Ø 4.9 mm; 4 x 0.34 mm<sup>2</sup> (42 x Ø 0.1 mm )

## Connection



## Electrical connection - socket

Connector: 1 x M12, angled; Moulded body: PP, Halogen-free; Locking: stainless steel (1.4404 / 316L); Contacts: gold-plated; Tightening torque: 0.6...1.5 Nm

# EVF050



## Connection cable

VDOAH040VAS0005P04STGH040VAS

