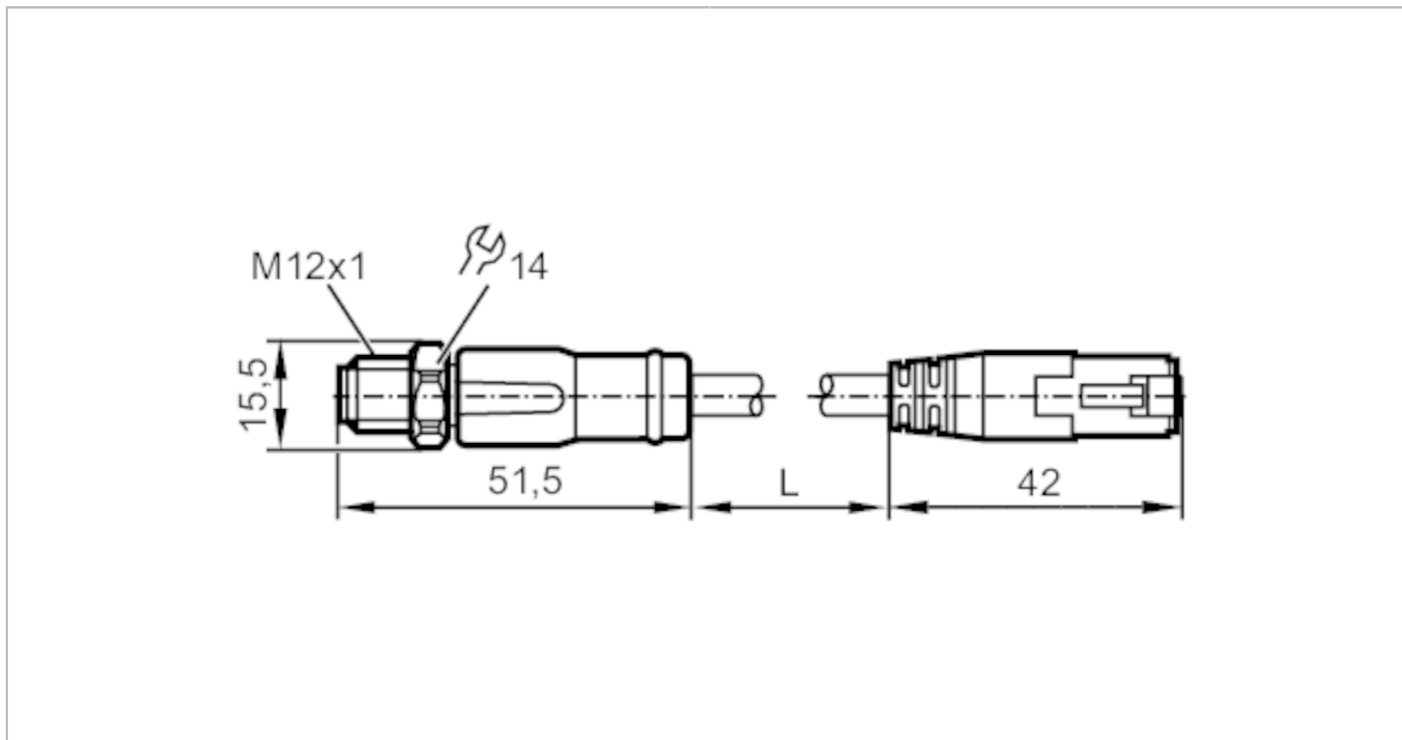


EVF552



Connection cable

VSTGN040VAS0005P04STGP040--S



Application	
System	Free from silicone; Halogen-free; gold-plated contacts; screened cable; Drag chain suitability
Design	Ethernet cable, D-coded
Application	Industrial Ethernet; CAT5/CAT5e; 100 Mbit/s; sanitary and wet areas in the food industry
Free from silicone	yes
Electrical data	
Operating voltage [V]	30 AC / 60 DC
Protection class	III
Max. current load total [A]	1.5
Operating conditions	
Ambient temperature [°C]	-25...100
Ambient temperature (moving) [°C]	0...80
Protection	IP 65; IP 67; IP 68; IP 69K; (M12 plug / RJ45 plug: IP 20)

EVF552



Connection cable

VSTGN040VAS0005P04STGP040--S

Mechanical data		
Weight [g]	347.9	
Material	brass nickel-plated; housing: PP Halogen-free	
Molded-body material	PP / PC	
Material nut	stainless steel (1.4404 / 316L)	
Tightening torque [Nm]	knurled nut: 0,6...1,2	
Drag chain suitability	yes	
Drag chain suitability	Bending radius for flexible applications	min. 15 x cable diameter
	Travel speed	max. 3.3 m/s for a horizontal travel length of 5 m and max. acceleration of 5 m/s ²
	Bending cycles	> 1 Mio.
	Torsional strain	± 180 °/m

Remarks	
Remarks	Take into account the maximum value of the counterpart!
Pack quantity	1 pcs.

Electrical connection - plug M12

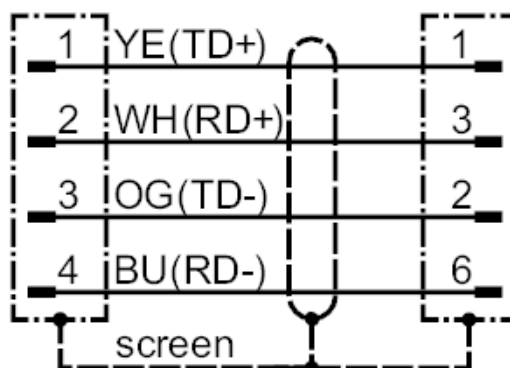
Connector: 1 x M12, straight; Moulded body: PP; Locking: stainless steel (1.4404 / 316L); Contacts: gold-plated



Electrical connection

Cable: 5 m, MPPE, Halogen-free, grey, Ø 6.5 mm, screened; PROFINET Type C; 4 x 0.34 mm² (7 x Ø 0.25 mm)

Connection



Electrical connection - plug RJ45

Connector: 1 x RJ45, straight; Moulded body: PC; Contacts: gold-plated

EVF552



Connection cable

VSTGN040VAS0005P04STGP040--S

