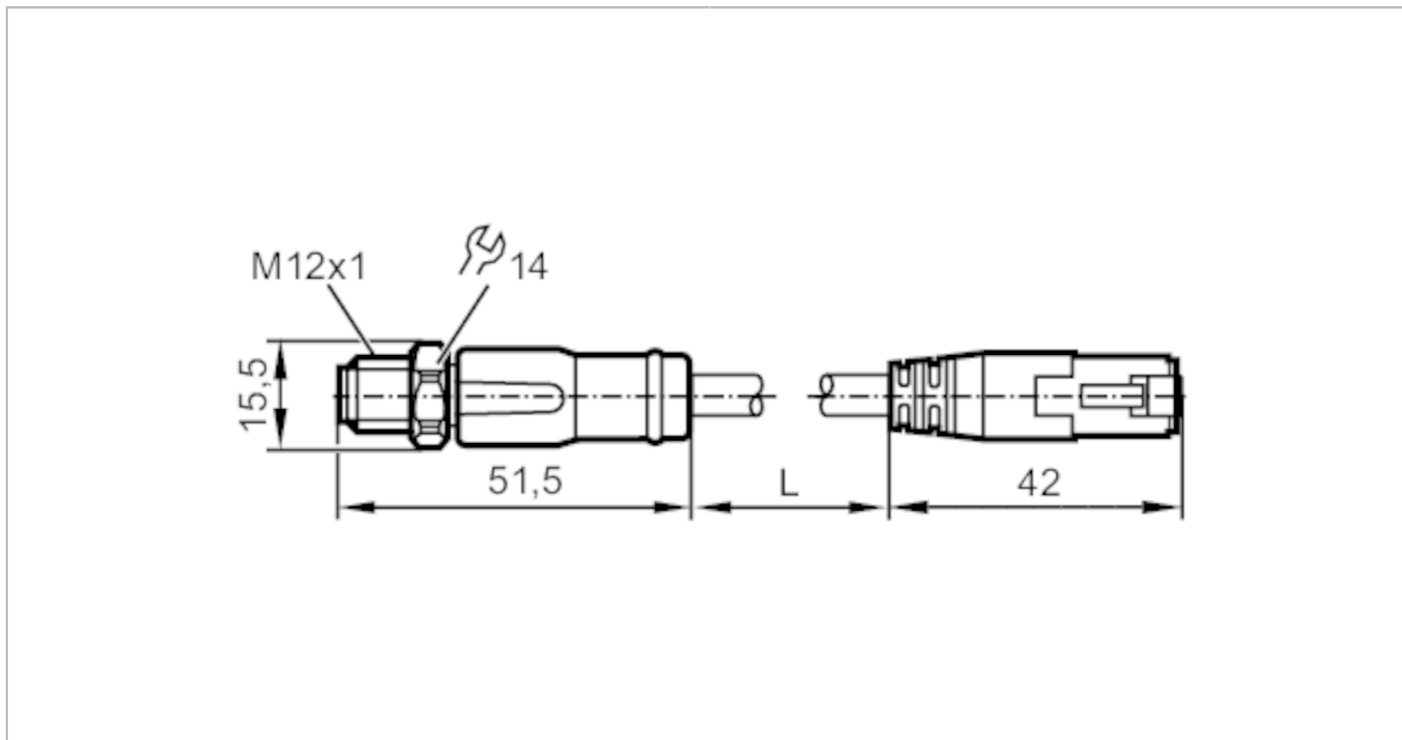


# EVF553



## Connection cable

VSTGN040VAS0010P04STGP040--S



| Application                       |  |
|-----------------------------------|--|
| System                            | Free from silicone; Halogen-free; gold-plated contacts; screened cable; Drag chain suitability |
| Design                            | Ethernet cable, D-coded  |
| Application                       | Industrial Ethernet; CAT5/CAT5e; 100 Mbit/s; sanitary and wet areas in the food industry       |
| Free from silicone                | yes  |
| Electrical data                   |  |
| Operating voltage [V]             | 30 AC / 60 DC  |
| Protection class                  | III  |
| Max. current load total [A]       | 1.5  |
| Operating conditions              |  |
| Ambient temperature [°C]          | -25...100  |
| Ambient temperature (moving) [°C] | 0...80   |
| Protection                        | IP 65; IP 67; IP 68; IP 69K; (M12 plug / RJ45 plug: IP 20)                                     |

# EVF553



## Connection cable

VSTGN040VAS0010P04STGP040--S

| Mechanical data        |   |  |
|------------------------|---|--|
| Weight [g]             | 657.9   |  |
| Material               | brass nickel-plated; housing: PP Halogen-free |  |
| Molded-body material   | PP / PC                                       |  |
| Material nut           | stainless steel (1.4404 / 316L)               |  |
| Tightening torque [Nm] | knurled nut: 0,6...1,2                        |  |
| Drag chain suitability | yes   |  |
| Drag chain suitability | Bending radius for flexible applications      | min. 15 x cable diameter   |
|                        | Travel speed                                  | max. 3.3 m/s for a horizontal travel length of 5 m and max. acceleration of 5 m/s <sup>2</sup> |
|                        | Bending cycles                                | > 1 Mio.   |
|                        | Torsional strain                              | ± 180 °/m  |

| Remarks       |   |
|---------------|---|
| Remarks       | Take into account the maximum value of the counterpart! |
| Pack quantity | 1 pcs.  |

### Electrical connection - plug M12

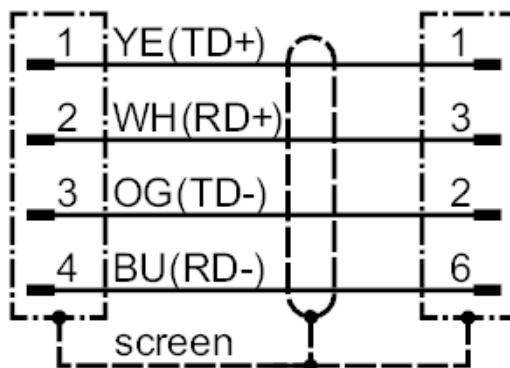
Connector: 1 x M12, straight; Moulded body: PP; Locking: stainless steel (1.4404 / 316L); Contacts: gold-plated



### Electrical connection

Cable: 10 m, MPPE, Halogen-free, grey, Ø 6.5 mm, screened; PROFINET Type C; 4 x 0.34 mm<sup>2</sup> (7 x Ø 0.25 mm)

### Connection



### Electrical connection - plug RJ45

Connector: 1 x RJ45, straight; Moulded body: PC; Contacts: gold-plated

# EVF553



## Connection cable

VSTGN040VAS0010P04STGP040--S

